

Wrenches Schraubenschlüssel



Double flexible head wrench set
V4194, EAN 4047728041942

• Can be used in areas with restricted access

Doppel-Gelenkschlüssel-Satz

V4194, EAN 4047728041942

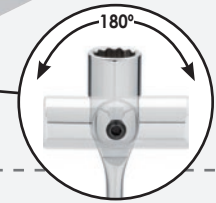
• Anwendbar unter beengten Platzverhältnissen



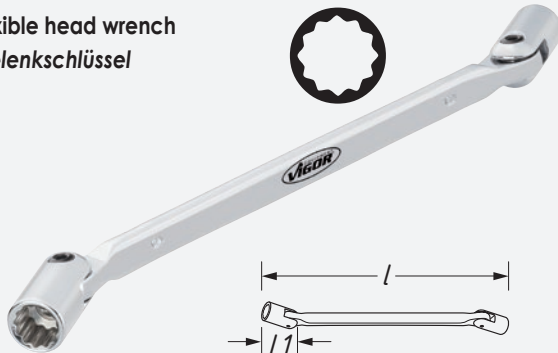
With hinge
Mit Gelenk



X	Design Ausführung	Sizes (mm) SW (mm)
7 x		8 x 9 · 10 x 11 · 12 x 13 · 14 x 15 · 16 x 17 · 18 x 19 21 x 22 mm



Double flexible head wrench
Doppel-Gelenkschlüssel



VIGOR No.	Sizes (mm) SW (mm)	L mm	L1 mm	EAN 4047728+
V4204	8 x 9	183	27	042048
V4203	10 x 11	200	28	042031
V4205	12 x 13	216	34	042055
V4206	14 x 15	240	38	042062
V4207	16 x 17	257	42	042079
V4208	18 x 19	271	44	042086
V4209	21 x 22	304	59	042093

Double open-end wrench set
V1461, EAN 4047728014618

• DIN 3110

Doppel-Maulschlüssel-Satz

V1461, EAN 4047728014618

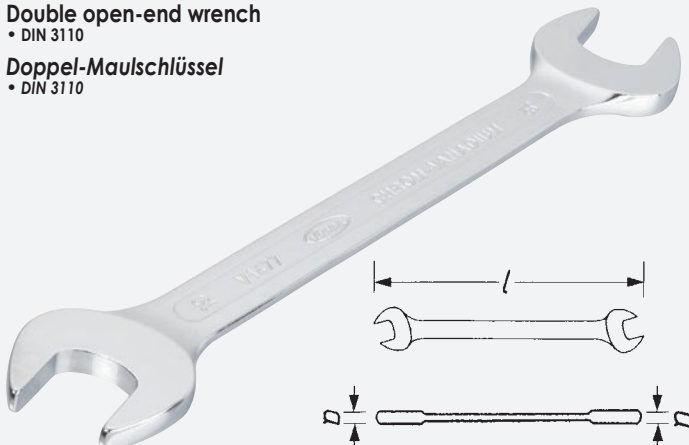
• DIN 3110



X	Design Ausführung	Sizes (mm) SW (mm)
12 x		6 x 7 · 8 x 9 · 10 x 11 · 12 x 13 · 14 x 15 · 16 x 17 · 18 x 19 20 x 22 · 21 x 23 · 24 x 27 · 25 x 28 · 30 x 32 mm

Double open-end wrench
• DIN 3110

Doppel-Maulschlüssel
• DIN 3110



VIGOR No.	SW mm	L mm	a mm	EAN 4047728+
V1471	6 x 7	105	3.4	014717
V1472	8 x 9	115	3.8	014724
V1473	10 x 11	130	4.4	014731
V1474	12 x 13	142	5.0	014748
V1475	14 x 15	152	5.6	014755
V1476	16 x 17	165	6.2	014762
V1669	16 x 18	205	6.2	016698
V1671	17 x 19	220	6.8	016711
V1477	18 x 19	175	6.8	014779
V1478	20 x 22	190	7.2	014786
V1479	21 x 23	205	7.8	014793
V1672	22 x 24	248	7.8	016728
V1480	24 x 27	215	8.4	014809
V1481	25 x 28	240	9.0	014816
V1482	30 x 32	260	9.6	014823

Combination wrench set
V1054, EAN 4047728010542

• DIN 3113 / ISO 7738

Ring-Maulschlüssel-Satz

V1054, EAN 4047728010542

• DIN 3113 / ISO 7738



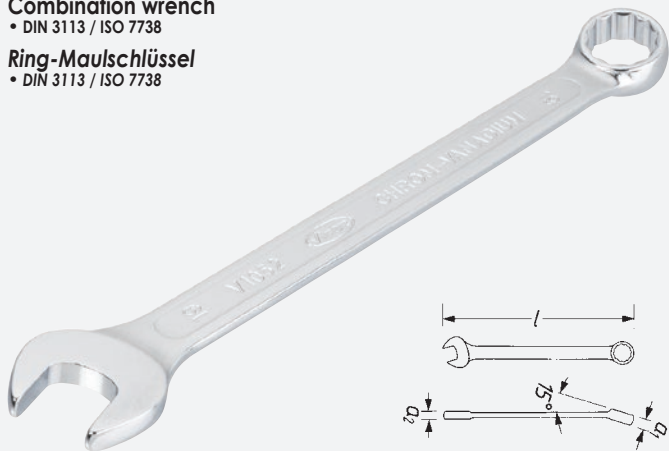
Design Ausführung	Sizes (mm) SW (mm)
13 x	6 · 7 · 8 · 9 · 10 · 11 · 12 · 13 · 14 · 15 · 17 · 19 · 22 mm

Combination wrench

• DIN 3113 / ISO 7738

Ring-Maulschlüssel

• DIN 3113 / ISO 7738



VIGOR No.	Sizes (mm) SW (mm)	mm	a1 mm	a2 mm	EAN 4047728+
V1040	6	105	5.2	3.5	010405
V1041	7	115	6.2	3.8	010412
V1042	8	130	6.6	4.3	010429

VIGOR No.	Sizes (mm) SW (mm)	mm	a1 mm	a2 mm	EAN 4047728+
V1043	9	142	7.0	4.3	010436
V1044	10	152	7.8	4.6	010443
V1045	11	165	8.1	4.8	010450
V1047	12	175	9.1	5.3	010474
V1048	13	190	9.6	5.6	010481
V1049	14	205	10.2	5.9	010498
V1050	15	215	10.9	6.3	010504
V1680	16	227	10.6	6.5	016803
V1051	17	240	11.7	6.9	010511
V1673	18	250	11.4	7.2	016735
V1052	19	260	12.3	8.0	010528
V4197	20	275	13.2	7.7	041973
V4198	21	288	13.3	8.1	041980
V1053	22	295	14.8	9.0	010535
V1674	24	330	15.8	9.6	016742
V1676	27	360	17.1	10.0	016766
V1677	30	390	18.5	11.0	016773
V1678	32	420	20.1	12.0	016780
V1679	36	450	21.5	13.0	016797

Double box-end wrench assortment

V1524, EAN 4047728015240

• DIN 838 / ISO 10104

Doppel-Ringschlüssel-Sortiment

V1524, EAN 4047728015240

• DIN 838 / ISO 10104



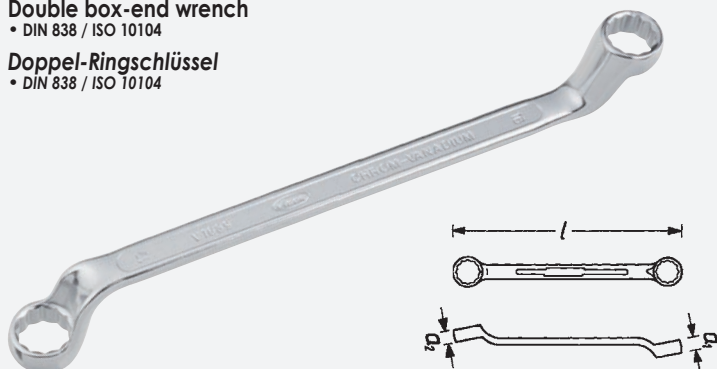
Design Ausführung	Sizes (mm) SW (mm)
12 x	6 x 7 · 8 x 9 · 10 x 11 · 12 x 13 · 14 x 15 · 16 x 17 · 18 x 19 · 20 x 22 · 21 x 23 · 24 x 27 · 25 x 28 · 30 x 32 mm

Double box-end wrench

• DIN 838 / ISO 10104

Doppel-Ringschlüssel

• DIN 838 / ISO 10104



VIGOR No.	Sizes (mm) SW (mm)	mm	a1 mm	a2 mm	EAN 4047728+
V1684	6 x 7	176.0	6.3	5.7	016841
V1685	8 x 9	190.5	7.7	6.7	016858
V1686	10 x 11	205.0	9.2	8.6	016865
V1687	12 x 13	220.5	9.9	9.5	016872
V1688	14 x 15	236.0	10.8	10.2	016889
V1689	16 x 17	250.0	12.0	11.4	016896
V1690	18 x 19	271.0	12.8	12.4	016902
V1691	20 x 22	291.0	14	13.2	016919
V1692	21 x 23	310.5	14.2	13.6	016926
V1693	24 x 27	331.0	15.6	14.4	016933
V1694	25 x 28	350.0	15.6	14.6	016940
V1695	30 x 32	371.0	16.9	16.4	016957

Wrenches Schraubenschlüssel



Ratcheting combination wrench set,
short style

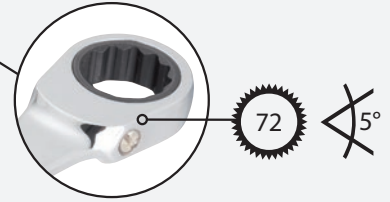
V2815, EAN 4047728028158

• In tool roll

Ratschen-Ring-Maulschlüssel-Satz,
kurze Ausführung

V2815, EAN 4047728028158

• Mit Rolltasche



	Design Ausführung	Sizes (mm) SW (mm)
5 x		8 · 10 · 13 · 17 · 19 mm

Ratcheting combination wrench set, short style

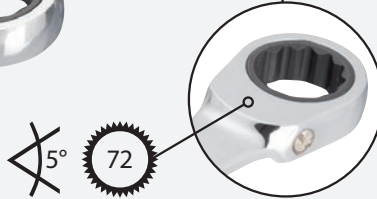
V2821, EAN 4047728028219

• In tool roll

Ratschen-Ring-Maulschlüssel-Satz, kurze Ausführung

V2821, EAN 4047728028219

• Mit Rolltasche



	Design Ausführung	Sizes (mm) SW (mm)
12 x		8 · 9 · 10 · 11 · 12 · 13 · 14 · 15 · 16 · 17 · 18 · 19 mm

Ratcheting combination wrench, short style

Ratschen-Ring-Maulschlüssel, kurze Ausführung



VIGOR No.	Sizes (mm) SW (mm)	mm	a1 mm	a2 mm	EAN 4047728+
V2822	8	89	7.4	4.9	028226
V2823	9	93	7.5	5.2	028233
V2824	10	97	8.5	5.5	028240
V2825	11	102	8.4	6.1	028257
V2826	12	106	8.5	6.3	028264
V2827	13	110	8.4	6.7	028271
V2828	14	114	8.4	7.0	028288
V2829	15	120	8.4	7.4	028295
V2830	16	122	10	7.7	028301
V2831	17	126	10	7.7	028318
V2832	18	131	11.5	8.4	028325
V2833	19	136	11.5	8.6	028332

Ratcheting combination wrench set, long style

V2820, EAN 4047728028202

• In tool roll

Ratschen-Ring-Maulschlüssel-Satz, lange Ausführung

V2820, EAN 4047728028202

• Mit Rolltasche



	Design Ausführung	Sizes (mm) SW (mm)
5 x		8 · 10 · 13 · 17 · 19 mm



Ratcheting combination wrench set, long style

V1031, EAN 4047728010313

• In tool roll

Ratschen-Ring-Maulschlüssel-Satz, lange Ausführung

V1031, EAN 4047728010313

• Mit Rolltasche



	Design Ausführung	Sizes (mm) SW (mm)
12 x		8 · 9 · 10 · 11 · 12 · 13 · 14 · 15 · 16 · 17 · 18 · 19 mm



Ratcheting combination wrench, long style

Ratschen-Ring-Maulschlüssel, lange Ausführung



VIGOR No.	Sizes (mm) SW (mm)	L mm	a1 mm	a2 mm	EAN 4047728+
V3635	6	135	4.6	7.4	036351
V3636	7	144	4.7	7.4	036368
V1008	8	140	4.7	7.4	010085
V1009	9	151	5.3	7.4	010092
V1010	10	160	5.7	8.4	010108
V1021	11	165	6.1	8.4	010214
V1022	12	170	6.4	8.4	010221
V1023	13	177	6.6	8.4	010238
V1025	14	192	7.3	8.4	010252
V1026	15	200	7.5	8.4	010269
V1027	16	210	7.7	10.0	010276
V1028	17	225	7.9	10.0	010283
V1029	18	235	8.4	11.5	010290
V1030	19	245	8.7	11.5	010306

Wrenches Schraubenschlüssel



Ratcheting combination wrench set

V2819, EAN 4047728028196

- In tool roll

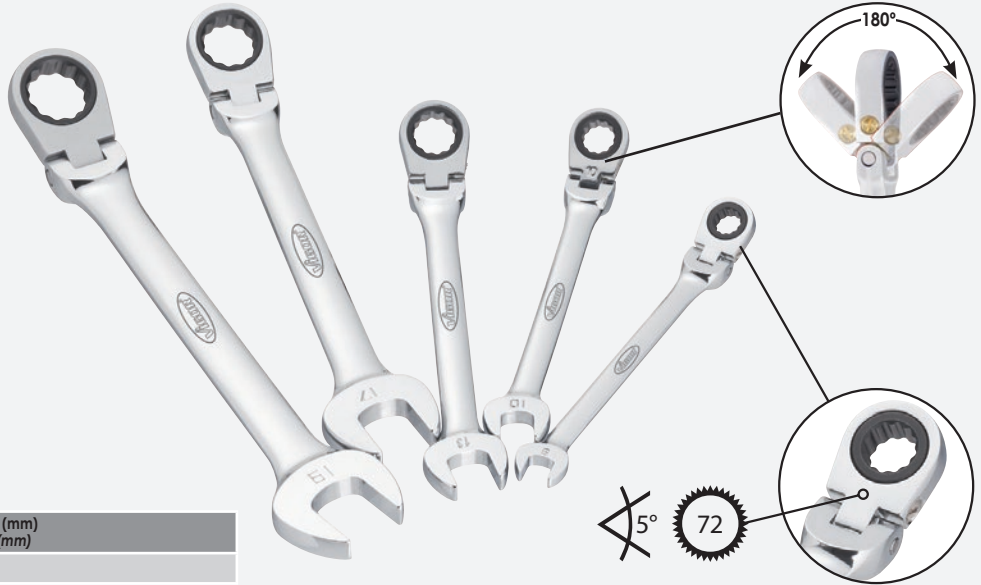
Gelenk-Ratschen-Ring-Maulschlüssel-Satz

V2819, EAN 4047728028196

- Mit Rolltasche



	Design Ausführung	Sizes (mm) SW (mm)
5 x		8 · 10 · 13 · 17 · 19 mm



Ratcheting combination wrench set

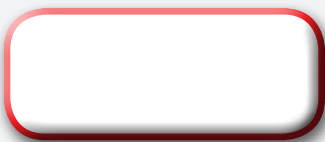
V2818, EAN 4047728028189

- In tool roll

Gelenk-Ratschen-Ring-Maulschlüssel-Satz

V2818, EAN 4047728028189

- Mit Rolltasche



	Design Ausführung	Sizes (mm) SW (mm)
12 x		8 · 9 · 10 · 11 · 12 · 13 · 14 · 15 · 16 · 17 · 18 · 19 mm

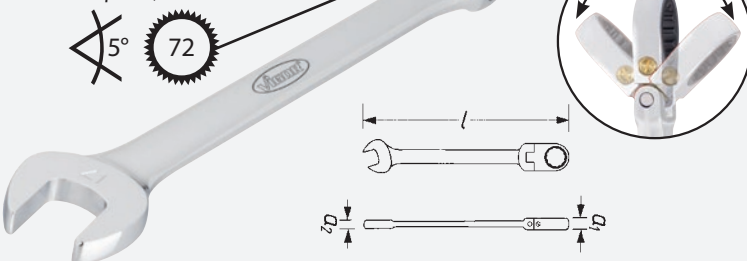


Ratcheting combination wrench,

- 72 teeth = 5° actuation angle
- 180° ratchet head, swivelling

Gelenk-Ratschen-Ring-Maulschlüssel,

- 72 Zähne = 5° Drehwinkel
- Ratschenkopf 180°, schwenkbar

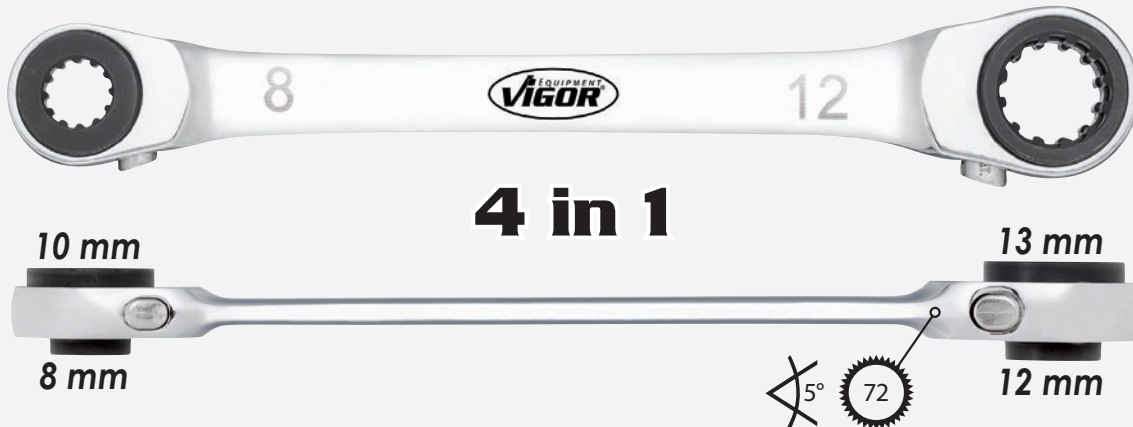


VIGOR No.	Sizes (mm) SW (mm)	L mm	a1 mm	a2 mm	EAN 4047728+
V2804	8	143	7.4	5.0	028042
V2805	9	150	7.4	5.3	028059
V2806	10	158	8.4	5.9	028066
V2807	11	165	8.4	6.1	028073
V2808	12	170	8.4	6.4	028080
V2809	13	182	8.4	6.7	028097
V2810	14	190	8.4	7.4	028103
V2811	15	200	8.5	7.6	028110
V2812	16	215	9.9	7.6	028127
V2813	17	228	10.0	8.0	028134
V2814	18	241	11.1	8.2	028141
V2817	19	250	11.5	8.7	028172

Multi-Purpose Profile Wrench Schraubenschlüssel Multiprofil

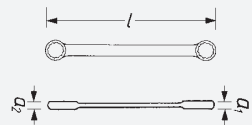
Double ratcheting box-end wrench
V3607, EAN 4047728036078

Doppel-Ratschen-Ringschlüssel
V3607, EAN 4047728036078




**Multi-purpose
profile
Multiprofil**

4 in 1

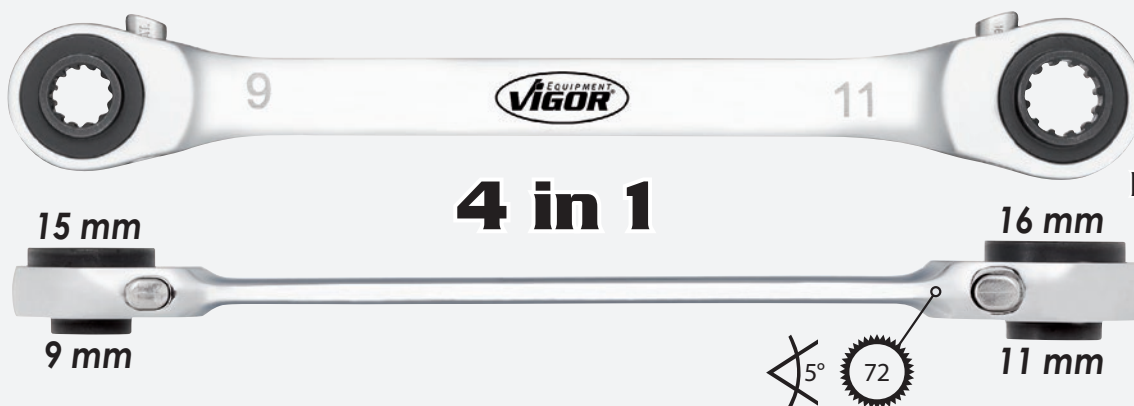


VIGOR No.	Sizes (mm) SW (mm)	L mm	$\alpha 1$ mm	$\alpha 2$ mm	EAN 4047728+
V3607	8 x 12 10 x 13	220	12.5	14.5	036078



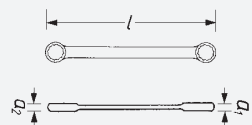
Double ratcheting box-end wrench
V3608, EAN 4047728036085

Doppel-Ratschen-Ringschlüssel
V3608, EAN 4047728036085

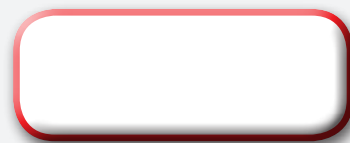



**Multi-purpose
profile
Multiprofil**

4 in 1

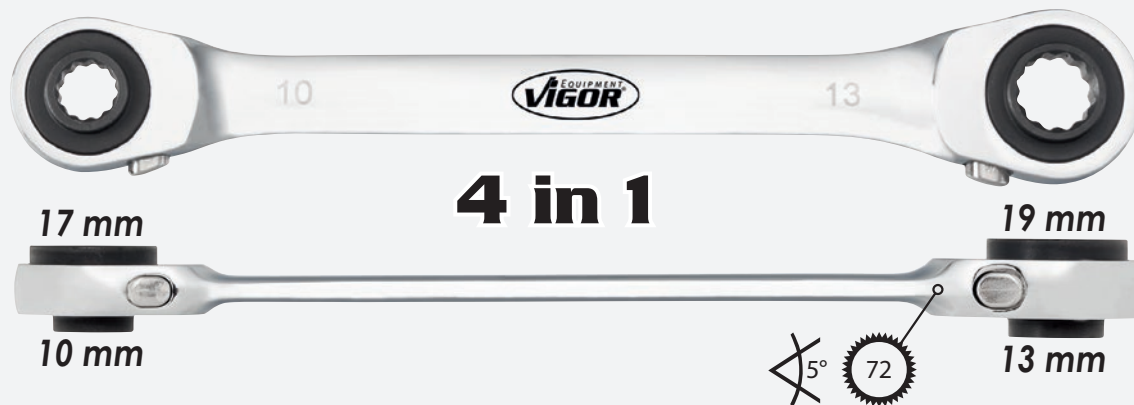


VIGOR No.	Sizes (mm) SW (mm)	L mm	$\alpha 1$ mm	$\alpha 2$ mm	EAN 4047728+
V3608	9 x 11 15 x 16	220	14	16.5	036085



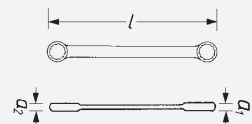
Double ratcheting box-end wrench
V2705, EAN 4047728027052

Doppel-Ratschen-Ringschlüssel
V2705, EAN 4047728027052




**12-point
Doppel-
Sechskant**

4 in 1



VIGOR No.	Sizes (mm) SW (mm)	L mm	$\alpha 1$ mm	$\alpha 2$ mm	EAN 4047728+
V2705	10 x 17 13 x 19	220	20	17	027052



Multi-Purpose Profile Wrench Schraubenschlüssel Multiprofil



Double ratcheting
box-end wrench set
V1424, EAN 4047728014243

Doppel-Ratschen-
Ringschlüssel-Satz
V1424, EAN 4047728014243

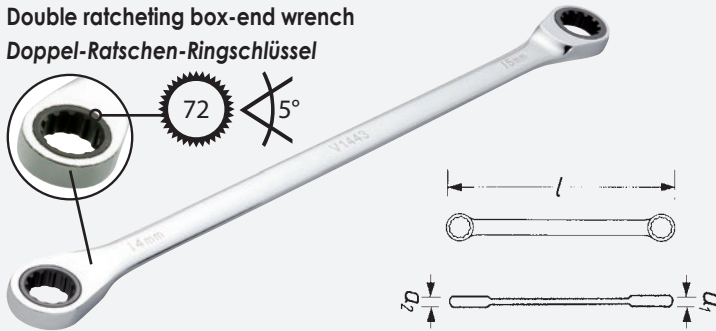


**1 wrench for
6 profiles
1 Schlüssel für
6 Profile!**

**Extra long!
Extra lang!**

Design Ausführung	Sizes (mm) SW (mm)
6 x	8 x 9 · 10 x 11 · 12 x 13 · 14 x 15 · 16 x 18 · 17 x 19 mm

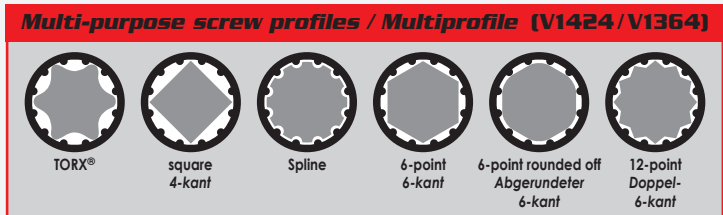
Double ratcheting box-end wrench
Doppel-Ratschen-Ringschlüssel



VIGOR No.	Sizes (mm) SW (mm)	L mm	a1 mm	a2 mm	EAN 4047728+
V1430	8 x 9	235	7.4	7.4	014304
V1441	10 x 11	270	8.4	8.4	014410
V1442	12 x 13	300	8.4	8.4	014427
V1443	14 x 15	330	8.4	8.4	014434
V1444	16 x 18	375	10	11.5	014441
V1445	17 x 19	405	10	11.5	014458

Ratcheting aluminium
box-end wrench set
V1364, EAN 4047728013642
• In tool roll

Aluminium-Ratschen-
Ringschlüssel-Satz
V1364, EAN 4047728013642
• Mit Rolltasche



Design Ausführung	Sizes (mm) SW (mm)
4 x	10 · 13 · 17 · 19 mm



Ratcheting aluminium box-end wrench
Aluminium-Ratschen-Ringschlüssel



VIGOR No.	Sizes (mm) SW (mm)	L mm	a1 mm	EAN 4047728+
V1400	8	89.8	7.4	014007
V1411	10	103.3	8.4	014113
V1412	12	116.2	8.4	014120
V1414	13	117.0	8.4	014144
V1415	14	129.7	8.4	014151
V1416	15	131.4	8.4	014168
V1417	16	142.5	8.4	014175
V1418	17	144	10.0	014182
V1419	18	156.2	11.4	014199
V1420	19	158.8	11.4	014205