

WALKER[®]

EMISSIONS CONTROL



2014

NEW ITEMS Q3

AVAILABLE NOW



VISIT OUR
NEW ONLINE CATALOGUE:
www.walkercatalogue.eu



Diesel Particulate Filters



Silencers



Catalytic Converters



EMEA

EUROPE, MIDDLE EAST, AFRICA



www.walker-eu.com

10569 Pipe

FIAT Doblo

APPLICATION INFO

MAKE	MODEL	FUEL	STROKE	CC	KW	YEAR	YEAR SEG	SEGMENT	KTYPE
FIAT	Doblo Cargo	B	1.4	1368	57	05/05>	<5	M6	19328
FIAT	Doblo	B	1.4	1368	57	05/05>	<5	M6	19326

OE INFORMATION

OE reference		
51759249	55197821SP12	
51759249SP12		
51781914		
51781914SP12		
51781915		
51781915SP12		
55197821		

COMPETITOR DATA

Name	Number
AS	
BM Catalysts	BM50217
Bosal	975-383
Klarius	150473
MTS	01.43029
Veneporte	

PICTURES

51803314 N.A.CAT	51781914SP12 0010569	51781914SP22 6610570(A)	51723622 5222512	Doblo MPV 1.4 10/05- 1368 cc - 77 HP - 57 kW Mot/Eng: 350 A1.000 Type/Typ: 119 05/05-07/09 Model 223AXP1A, 223ZXP1A (A) Not extended wheelbase (B) Only extended wheelbase
			6710571(B) 51781915SP22	
				FIH19326 CAT

PRODUCT & LOGISTIC INFO

Stock Code	62
Approval number	
Weight (kg)	2,02
EAN 13	3277490105691



Online Catalogue:
www.walkercatalogue.eu



10584 Pipe

CITROEN C4 Picasso

APPLICATION INFO

MAKE	MODEL	FUEL	STROKE	CC	KW	YEAR	YEAR SEG	SEGMENT	KTYPE
PEUGEOT	Partner Tepee	D	1.6	1560	55	06/08>	<5	M6	24531
PEUGEOT	Partner Tepee	D	1.6	1560	80	04/08>	<5	M6	24533
PEUGEOT	Partner Tepee	D	1.6	1560	66	04/08>	<5	M6	24532
PEUGEOT	Partner	D	1.6	1560	66	01/09>	<5	M6	12149
PEUGEOT	Partner	D	1.6	1560	55	06/08>	<5	M6	24536
PEUGEOT	Partner	D	1.6	1560	66	04/08>	<5	M6	24537
PEUGEOT	5008	D	1.6	1560	82	08/10>	<5	M4	5291
PEUGEOT	5008	D	1.6	1560	80	07/09>	<5	M4	31737
CITROEN	C4 Picasso	D	1.6	1560	82	09/10-08/13	<5	M4	6442/6499
CITROEN	C4 Picasso	D	1.6	1560	80	10/06-08/13	<5	M4	19749
CITROEN	C4 Grand Picasso	D	1.6	1560	82	09/10-08/13	<5	M4	6635/6636
CITROEN	C4 Grand Picasso	D	1.6	1560	80	10/06-06/11	5-10	M4	22483
CITROEN	Berlingo MultiSpace	D	1.6	1560	55	04/08>	<5	M6	24514
CITROEN	Berlingo MultiSpace	D	1.6	1560	80	04/08>	<5	M6	24516
CITROEN	Berlingo MultiSpace	D	1.6	1560	66	04/08>	<5	M6	24515

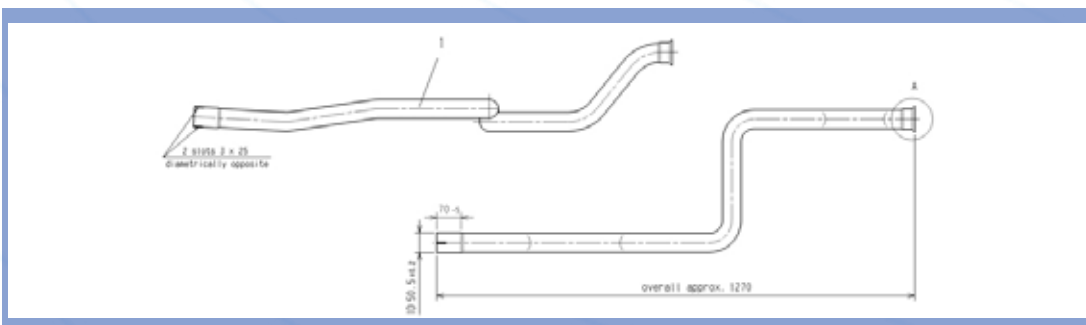
OE INFORMATION

OE reference		
1717GX		
1717SP		

COMPETITOR DATA

Name	Number
AS	
BM Catalysts	
Bosal	
Klarius	150525
MTS	
Veneporte	CT15636

PICTURES



PRODUCT & LOGISTIC INFO

Stock Code	64
Approval number	
Weight (kg)	2,52
EAN 13	3277490105844



Online Catalogue:
www.walkercatalogue.eu



10593 Pipe

MAZDA 2

APPLICATION INFO

MAKE	MODEL	FUEL	STROKE	CC	KW	YEAR	YEAR SEG	SEGMENT	KTYPE
MAZDA	2	B	1.3	1349	62	08/10>	<5	M1	54913
MAZDA	2	B	1.3	1349	63	07/07>	<5	M1	23398
MAZDA	2	B	1.3	1349	55	07/07>	<5	M1	23396

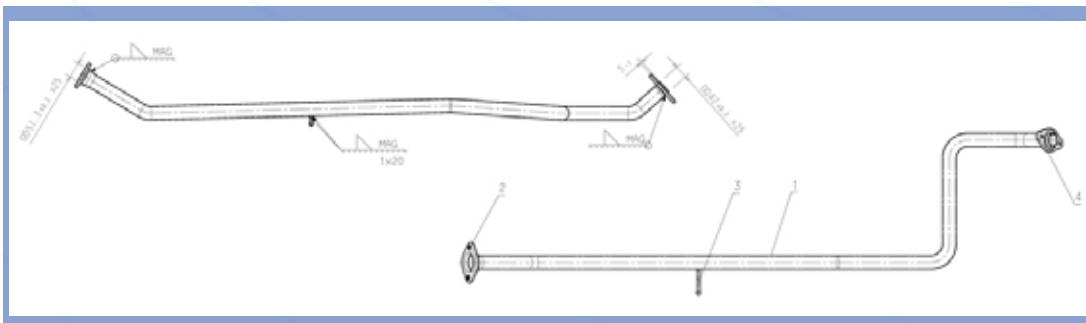
OE INFORMATION

OE reference		
ZJ2340600A		

COMPETITOR DATA

Name	Number
AS	
BM Catalyts	
Bosal	900-059
Klarius	
MTS	
Veneporte	

PICTURES



PRODUCT & LOGISTIC INFO

Stock Code	66
Approval number	
Weight (kg)	4,48
EAN 13	3277490105936



Online Catalogue:
www.walkercatalogue.eu



1ST TO MARKET

10594 Pipe

RENAULT Laguna

APPLICATION INFO

MAKE	MODEL	FUEL	STROKE	CC	KW	YEAR	YEAR SEG	SEGMENT	KTYPE
RENAULT	Laguna Estate/Break	D	2.0	1995	127	01/08>	<5	M2'	27532
RENAULT	Laguna Estate/Break	D	2.0	1995	110	01/08>	<5	M2'	23378
RENAULT	Laguna	D	2.0	1995	127	01/08>	<5	M2'	27531
RENAULT	Laguna	D	2.0	1995	110	10/07>	<5	M2'	23373

OE INFORMATION

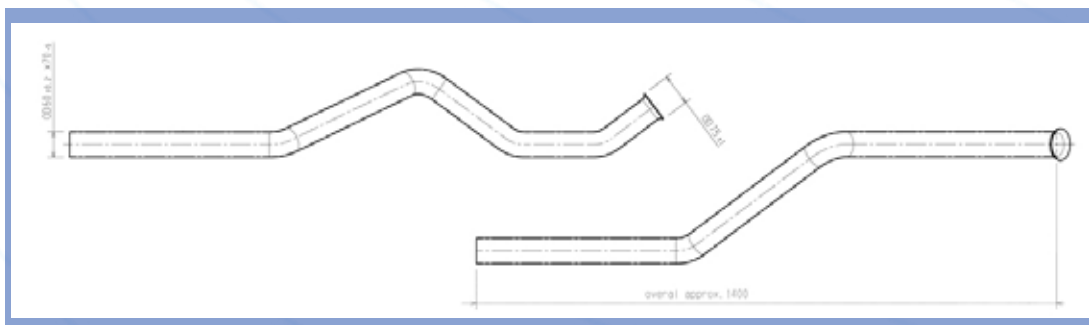
OE reference		
203004632R		
203004632RSP22		

COMPETITOR DATA

Name	Number
AS	
BM Catalysts	
Bosal	
Klarius	
MTS	
Veneporte	

N/A

PICTURES



PRODUCT & LOGISTIC INFO

Stock Code	64
Approval number	
Weight (kg)	3,11
EAN 13	3277490105943



Online Catalogue:
www.walkercatalogue.eu



10595 Pipe

FIAT Panda

APPLICATION INFO

MAKE	MODEL	FUEL	STROKE	CC	KW	YEAR	YEAR SEG	SEGMENT	KTYPE
FIAT	Panda Van	B	1.2	1242	44	03/04-12/12	5-10	M6	27950
FIAT	Panda	G	1.2	1242	44	10/06-12/09	5-10	M1	26621

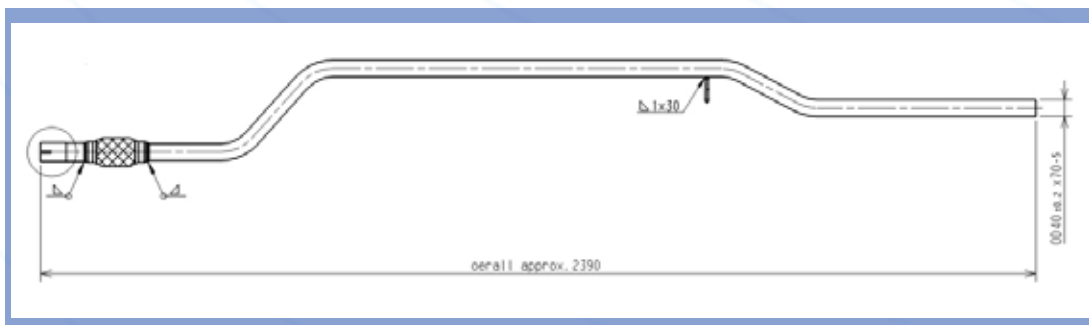
OE INFORMATION

OE reference		
51788196		
51818955		

COMPETITOR DATA

Name	Number
AS	
BM Catalyts	
Bosal	
Klarius	
MTS	01.43054
Veneporte	FA25746

PICTURES



PRODUCT & LOGISTIC INFO

Stock Code	67
Approval number	
Weight (kg)	3,66
EAN 13	3277490105950



Online Catalogue:
www.walkercatalogue.eu



10596 Pipe

FORD KA

APPLICATION INFO

MAKE	MODEL	FUEL	STROKE	CC	KW	YEAR	YEAR SEG	SEGMENT	KTYPE
FORD	KA Van	B	1.3	1299	44	05/02-05/05	5-10	M1	12469
FORD	KA	B	1.3	1299	36	06/98-11/08	> 10	M1	12059
FORD	KA	B	1.3	1299	44	09/96-11/08	> 10	M1	5802
FORD	KA	B	1.3	1299	37	09/96-10/02	> 10	M1	5801

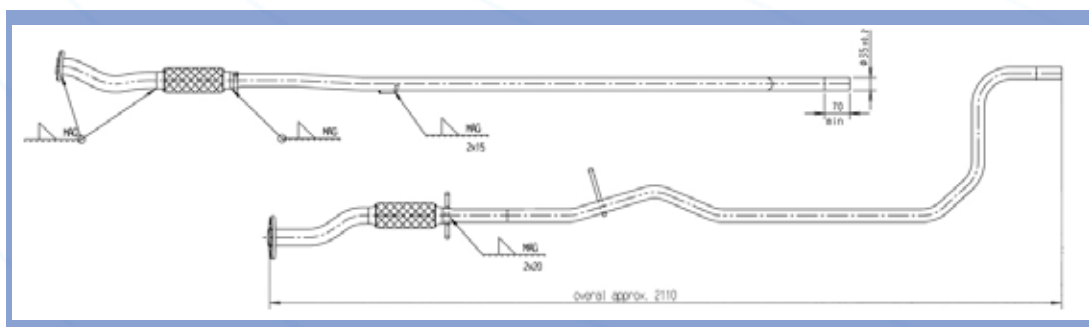
OE INFORMATION

OE reference		
1457189		

COMPETITOR DATA

Name	Number
AS	
BM Catalysts	
Bosal	965-127
Klarius	
MTS	
Veneporte	FD30431

PICTURES



PRODUCT & LOGISTIC INFO

Stock Code	67
Approval number	
Weight (kg)	3,71
EAN 13	3277490105967



Online Catalogue:
www.walkercatalogue.eu



1ST TO MARKET

10597 Pipe

RENAULT Laguna

APPLICATION INFO

MAKE	MODEL	FUEL	STROKE	CC	KW	YEAR	YEAR SEG	SEGMENT	KTYPE
RENAULT	Laguna Estate/Break	D	1.5	1461	81	02/08>	<5	M2'	23376
RENAULT	Laguna	D	1.5	1461	81	09/07>	<5	M2'	23371

OE INFORMATION

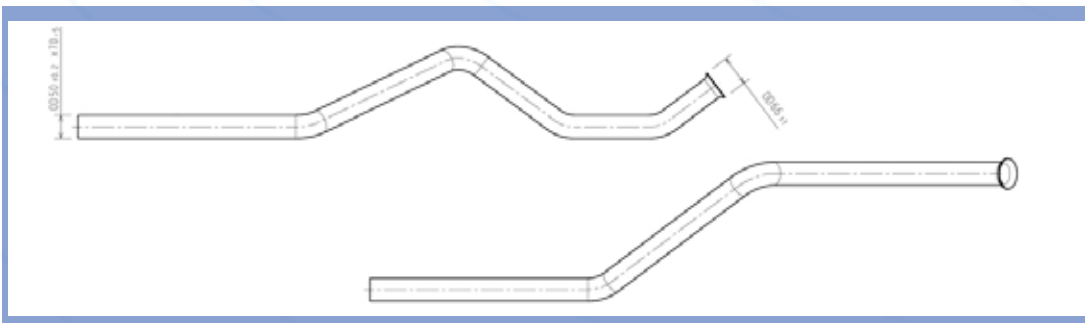
OE reference		
203000056R		
203000056RSP22		

COMPETITOR DATA

Name	Number
AS	
BM Catalysts	
Bosal	
Klarius	
MTS	
Veneporte	

N/A

PICTURES



PRODUCT & LOGISTIC INFO

Stock Code	64
Approval number	
Weight (kg)	2,55
EAN 13	3277490105974



Online Catalogue:
www.walkercatalogue.eu



10598 Pipe

FIAT Panda

APPLICATION INFO

MAKE	MODEL	FUEL	STROKE	CC	KW	YEAR	YEAR SEG	SEGMENT	KTYPE
FIAT	Panda Van	D	1.3	1248	51	03/04-12/12	5-10	M6	27952
FIAT	Panda	D	1.3	1248	51	08/04-12/12	5-10	M1	18092
FIAT	Panda	D	1.3	1248	51	12/03-12/12	5-10	M1	17640

OE INFORMATION

OE reference		
51762517		

COMPETITOR DATA

Name	Number
AS	
BM Catalysts	
Bosal	286-201
Klarius	260901
MTS	01.50136
Veneporte	FA25753

PICTURES



PRODUCT & LOGISTIC INFO

Stock Code	67
Approval number	
Weight (kg)	4,53
EAN 13	3277490105981



Online Catalogue:
www.walkercatalogue.eu



1ST TO MARKET

10599 Pipe

RENAULT Laguna

APPLICATION INFO

MAKE	MODEL	FUEL	STROKE	CC	KW	YEAR	YEAR SEG	SEGMENT	KTYPE
RENAULT	Laguna Estate/Break	D	2.0	1995	131	03/08>	<5	M2'	26651
RENAULT	Laguna Estate/Break	D	2.0	1995	127	01/08>	<5	M2'	27532
RENAULT	Laguna Estate/Break	D	2.0	1995	110	01/08>	<5	M2'	23378
RENAULT	Laguna Estate/Break	D	2.0	1995	96	01/08>	<5	M2'	23377
RENAULT	Laguna	D	2.0	1995	131	03/08>	<5	M2'	26649
RENAULT	Laguna	D	2.0	1995	127	01/08>	<5	M2'	27531
RENAULT	Laguna	D	2.0	1995	110	10/07>	<5	M2'	23373
RENAULT	Laguna	D	2.0	1995	96	09/07>	<5	M2'	23372

OE INFORMATION

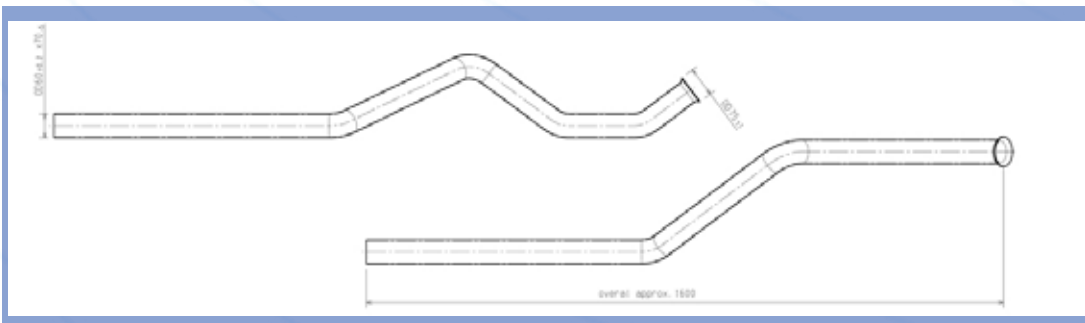
OE reference		
200100056RSSP22		
200100065R		

COMPETITOR DATA

Name	Number
AS	
BM Catalysts	
Bosal	
Klarius	
MTS	
Veneporte	

N/A

PICTURES



PRODUCT & LOGISTIC INFO

Stock Code	66
Approval number	
Weight (kg)	3,42
EAN 13	3277490105998



Online Catalogue:
www.walkercatalogue.eu



1ST TO MARKET

22817 Rear Silencer

CHEVROLET Lacetti

APPLICATION INFO

MAKE	MODEL	FUEL	STROKE	CC	KW	YEAR	YEAR SEG	SEGMENT	KTYPE
CHEVROLET	Nubira	B	1.8	1799	90	03/05-12/09	5-10	M2	18540
CHEVROLET	Nubira	B	1.8	1799	90	03/05-12/09	5-10	M2	18544
CHEVROLET	Nubira	B	1.8	1796	89	01/05-12/11	5-10	M2	19769
CHEVROLET	Nubira	B	1.8	1796	89	01/05-09/07	5-10	M2	32691
CHEVROLET	Nubira	B	1.6	1598	80	01/05-12/11	5-10	M2	18542
CHEVROLET	Nubira	B	1.6	1598	80	01/05-12/10	5-10	M2	18539
CHEVROLET	Nubira	B	1.4	1399	69	01/05-12/07	5-10	M2	28019
CHEVROLET	Lacetti	B	1.6	1598	80	03/05-03/13	5-10	M2	7273
CHEVROLET	Lacetti	B	1.6	1598	80	05/03-03/13	5-10	M2	18537
CHEVROLET	Lacetti	B	1.4	1399	70	03/05-03/13	5-10	M2	18536

OE INFORMATION

OE reference		
96460432		
96553619		
96553624		
96553627		
96553630		

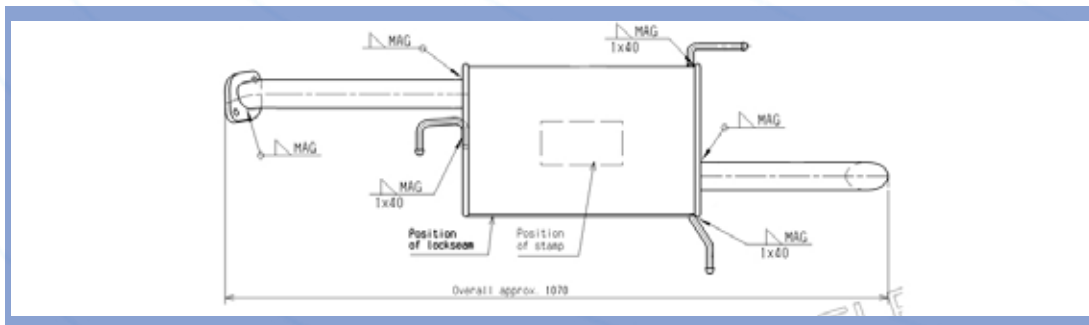
COMPETITOR DATA

Name	Number
AS	
BM Catalysts	
Bosal	
Klarius	
MTS	
Veneporte	

N/A

PICTURES

Muffler type: Spun



PRODUCT & LOGISTIC INFO

Stock Code	63
Approval number	E24 03.2032
Weight (kg)	6,01
EAN 13	3277490228178



Online Catalogue:
www.walkercatalogue.eu



22983 Rear Silencer

DACIA Logan

APPLICATION INFO

MAKE	MODEL	FUEL	STROKE	CC	KW	YEAR	YEAR SEG	SEGMENT	KTYPE
RENAULT	Logan	B	1.6	1598	77	04/07-10/13	<5	M1	25660
RENAULT	Logan	D	1.5	1461	48	04/06-10/13	<5	M1	25659
DACIA	Logan	B	1.6	1598	77	01/06-12/12	5-10	M1	19368
DACIA	Logan	B	1.6	1598	64	09/04-06/13	5-10	M1	18390
DACIA	Logan	D	1.5	1461	65	05/10-12/12	<5	M1	6695
DACIA	Logan	D	1.5	1461	55	05/10-12/12	<5	M1	6696
DACIA	Logan	D	1.5	1461	63	09/07-12/11	5-10	M1	24490
DACIA	Logan	D	1.5	1461	50	01/06-12/12	5-10	M1	19936
DACIA	Logan	D	1.5	1461	48	08/05-12/12	5-10	M1	18979
DACIA	Logan	B	1.4	1390	55	08/04-12/12	5-10	M1	18389

OE INFORMATION

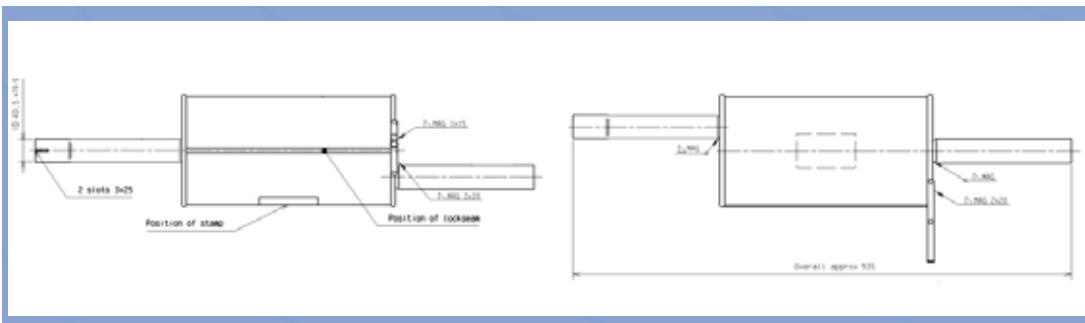
OE reference		
200103162R		
6001548670		

COMPETITOR DATA

Name	Number
AS	
BM Catalysts	
Bosal	200-555
Klarius	221111
MTS	01.60691
Veneporte	DC16001

PICTURES

Muffler type: Spun



PRODUCT & LOGISTIC INFO

Stock Code	52
Approval number	E1 03.10173
Weight (kg)	6,20
EAN 13	3277490229830



Online Catalogue:
www.walkercatalogue.eu



23037 Rear Silencer

SAAB 9-3

APPLICATION INFO

MAKE	MODEL	FUEL	STROKE	CC	KW	YEAR	YEAR SEG	SEGMENT	KTYPE
SAAB	9-3 Sport	R	2.0	1998	129	05/09-07/12	<5	M2'	27613/31158
SAAB	9-3 Sport	R	2.0	1998	110	01/07-07/12	<5	M2'	27600
SAAB	9-3 Sport	R	2.0	1998	110	01/07-07/12	<5	M2'	27612
SAAB	9-3 Sport	R	2.0	1998	129	01/07-07/12	<5	M2'	27601
SAAB	9-3 Sport	B	2.0	1998	110	03/05-07/12	5-10	M2'	18566/31187
SAAB	9-3 Sport	B	2.0	1998	129	02/05-07/12	5-10	M2'	18567
SAAB	9-3 Sport	B	2.0	1998	110	09/02-07/12	5-10	M2'	16825
SAAB	9-3 Sport	B	2.0	1998	129	06/02-07/12	5-10	M2'	17355
SAAB	9-3 Sport	B	2.0	1998	129	06/02-07/12	5-10	M2'	17355
SAAB	9-3	R	2.0	1998	110	01/07-07/12	<5	M2'	27610
SAAB	9-3	R	2.0	1998	129	01/07-07/12	<5	M2'	27611/31184
SAAB	9-3	B	2.0	1998	110	08/03-07/12	5-10	M2'	18004
SAAB	9-3	B	2.0	1998	129	07/03-07/12	5-10	M2'	17759

OE INFORMATION


OE reference		
12790735		

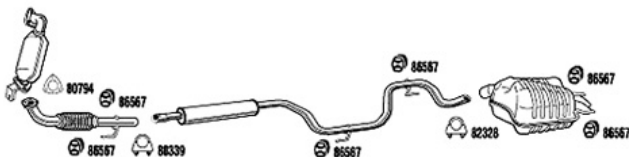
COMPETITOR DATA

Name	Number
AS	
BM Catalyts	
Bosal	215-003
Klarius	210865
MTS	01.60939
Veneporte	

PICTURES

Muffler type: Clamshell

12757507 N.A.CAT(A)	12788865 6110534	12790734 6723035(D)	12790735 5123037	9-3  1.8 09/02- 1998 cc - 150 HP - 110 kW Mot/Eng: B207E Type/Typ: Y3SF 09/02-07/12 Mod D45, D49 (A) -12/03 (B) 01/04-12/04 (C) 01/05- (D) -12/04
N.A.CAT(B) 12802228	N.A.CAT(C) 12757248	6723057(C) 12804375	SAH16825 CAT	



PRODUCT & LOGISTIC INFO

Stock Code	51
Approval number	E24 03.1746
Weight (kg)	-
EAN 13	3277490230379



Online Catalogue:
www.walkercatalogue.eu



23423 Rear Silencer

PEUGEOT 307 CC

APPLICATION INFO

MAKE	MODEL	FUEL	STROKE	CC	KW	YEAR	YEAR SEG	SEGMENT	KTYPE
PEUGEOT	307 CC	B	2.0	1997	103	01/05-04/09	5-10	M2'	18641

OE INFORMATION

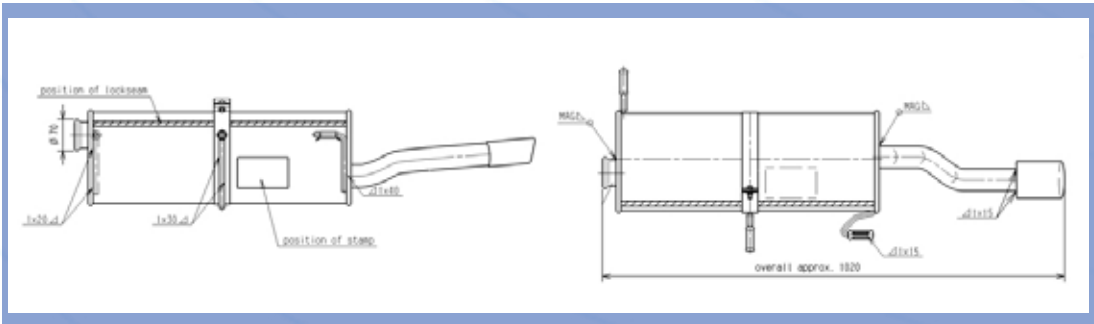
OE reference		
1726YT		

COMPETITOR DATA

Name	Number
AS	
BM Catalysts	
Bosal	190-173
Klarius	220854
MTS	
Veneporte	PG45395

PICTURES

Muffler type: Spun



PRODUCT & LOGISTIC INFO

Stock Code	52
Approval number	E24 03.1724
Weight (kg)	7,70
EAN 13	3277490234230



Online Catalogue:
www.walkercatalogue.eu

23647 Rear Silencer

CITROEN Jumper

APPLICATION INFO

MAKE	MODEL	FUEL	STROKE	CC	KW	YEAR	YEAR SEG	SEGMENT	KTYPE
PEUGEOT	Boxer	D	2.8	2798	107	04/04-06/06	5-10	M7	19342
PEUGEOT	Boxer	D	2.8	2798	107	04/04-06/06	5-10	M7	19342
PEUGEOT	Boxer	D	2.8	2798	107	04/04-06/06	5-10	M7	19343
PEUGEOT	Boxer	D	2.8	2798	107	04/04-06/06	5-10	M7	19343
PEUGEOT	Boxer	D	2.8	2798	107	04/04-06/06	5-10	M7	27988
PEUGEOT	Boxer	D	2.8	2798	94	12/01-06/06	5-10	M7	16749
PEUGEOT	Boxer	D	2.8	2798	94	12/01-06/06	5-10	M7	16749
PEUGEOT	Boxer	D	2.8	2798	94	12/01-06/06	5-10	M7	16758
PEUGEOT	Boxer	D	2.8	2798	94	12/01-06/06	5-10	M7	16758
PEUGEOT	Boxer	D	2.8	2798	94	12/01-06/06	5-10	M7	16753
PEUGEOT	Boxer	D	2.8	2798	94	12/01-06/06	5-10	M7	16753
PEUGEOT	Boxer	D	2.8	2798	94	12/01-06/06	5-10	M7	16749
PEUGEOT	Boxer	D	2.8	2798	94	12/01-06/06	5-10	M7	16749
PEUGEOT	Boxer	D	2.8	2798	94	12/01-06/06	5-10	M7	16645
PEUGEOT	Boxer	D	2.8	2798	94	12/01-06/06	5-10	M7	16756

OE INFORMATION

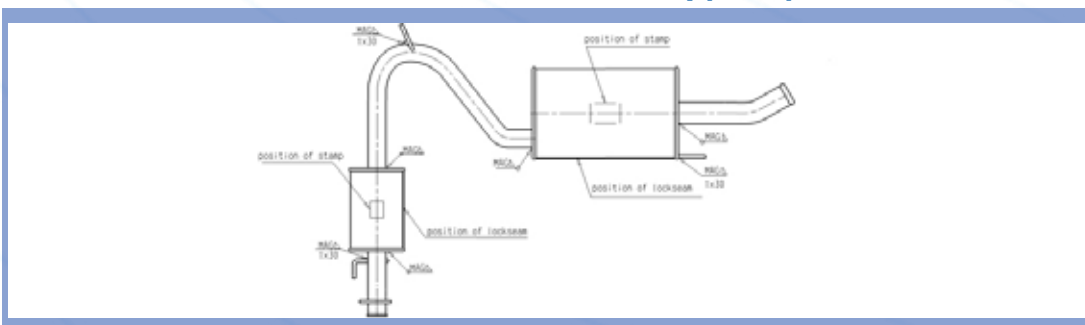
OE reference		
1726PS		
1726WK		
1730G5		
1730H1		

COMPETITOR DATA

Name	Number
AS	
BM Catalysts	
Bosal	283-581
Klarius	
MTS	
Veneporte	CT15397

PICTURES

Muffler type: Spun



PRODUCT & LOGISTIC INFO

Stock Code	66
Approval number	E24 031819
Weight (kg)	11,92
EAN 13	3277490236470



Online Catalogue:
www.walkercatalogue.eu



23648 Rear Silencer

PEUGEOT Boxer

APPLICATION INFO

MAKE	MODEL	FUEL	STROKE	CC	KW	YEAR	YEAR SEG	SEGMENT	KTYPE
PEUGEOT	Boxer	D	2.2	2179	74	12/01-06/06	5-10	M7	16754
PEUGEOT	Boxer	D	2.2	2179	74	12/01-06/06	5-10	M7	16750
PEUGEOT	Boxer	D	2.2	2179	74	12/01-06/06	5-10	M7	16644
PEUGEOT	Boxer	D	2.0	1997	62	04/02-06/06	5-10	M7	16752
PEUGEOT	Boxer	D	2.0	1997	62	12/01-06/06	5-10	M7	16748
PEUGEOT	Boxer	D	2.0	1997	62	12/01-06/06	5-10	M7	16748
PEUGEOT	Boxer	D	2.0	1997	62	12/01-06/06	5-10	M7	16643
CITROEN	Relay	D	2.2	2179	74	05/02-06/06	5-10	M7	16761
CITROEN	Relay	D	2.2	2179	74	05/02-06/06	5-10	M7	16765
CITROEN	Relay	D	2.2	2179	74	05/02-06/06	5-10	M7	16664
CITROEN	Relay	D	2.0	1997	62	05/02-06/06	5-10	M7	16760
CITROEN	Relay	D	2.0	1997	62	05/02-06/06	5-10	M7	16764
CITROEN	Relay	D	2.0	1997	62	05/02-06/06	5-10	M7	16663
CITROEN	Jumper	D	2.2	2179	74	02/02-06/06	5-10	M7	16761
CITROEN	Jumper	D	2.2	2179	74	02/02-06/06	5-10	M7	16765

OE INFORMATION

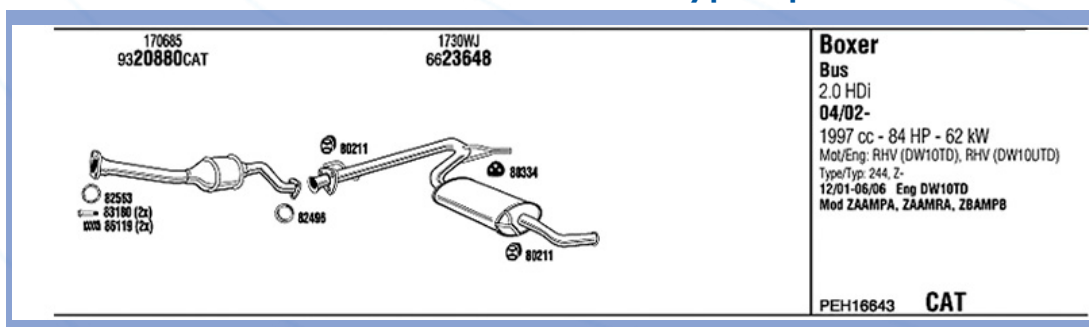
OE reference		
1730WJ		
1730Y8		

COMPETITOR DATA

Name	Number
AS	
BM Catalyts	
Bosal	281-093
Klarius	
MTS	
Veneporte	CT15394

PICTURES

Muffler type: Spun



PRODUCT & LOGISTIC INFO

Stock Code	66
Approval number	E24 031814
Weight (kg)	10,21
EAN 13	3277490236487



Online Catalogue:
www.walkercatalogue.eu





23673 Rear Silencer

TOYOTA Prius

APPLICATION INFO

MAKE	MODEL	FUEL	STROKE	CC	KW	YEAR	YEAR SEG	SEGMENT	KTYPE
TOYOTA	Prius	M	1.5	1497	57	09/03-03/09	5-10	M2	17711

OE INFORMATION

OE reference		
1743021580		

COMPETITOR DATA

Name	Number
AS	
BM Catalyts	
Bosal	279-423
Klarius	TY682J
MTS	
Veneporte	TY70076

PICTURES

Muffler type: Spun

1741024190 N.A.CAT	1743021580 53 23673	Prius Hatchback 1.5 08/03-03/09 1497 cc - 78 HP - 57 kW Mat/Eng: 1N2-FXE Type/typ: NHV20- TOH17711 CAT

PRODUCT & LOGISTIC INFO

Stock Code	53
Approval number	E24 03.1721
Weight (kg)	5,65
EAN 13	3277490236739



Online Catalogue:
www.walkercatalogue.eu



23675 Rear Silencer

CHEVROLET Aveo

APPLICATION INFO

MAKE	MODEL	FUEL	STROKE	CC	KW	YEAR	YEAR SEG	SEGMENT	KTYPE
DAEWOO	Kalos	B	1.5	1498	62	11/02-12/04	> 10	M1	21579
DAEWOO	Kalos	B	1.5	1498	62	11/02-12/04	> 10	M1	21579
DAEWOO	Kalos	B	1.4	1399	69	05/03-12/04	5-10	M1	17236
DAEWOO	Kalos	B	1.4	1399	69	05/03-12/04	5-10	M1	17236
DAEWOO	Kalos	B	1.4	1399	61	09/02-12/04	> 10	M1	16986
DAEWOO	Kalos	B	1.4	1399	61	09/02-12/04	> 10	M1	16986
DAEWOO	Kalos	B	1.2	1150	53	04/03-12/04	5-10	M1	17235
DAEWOO	Kalos	B	1.2	1150	53	04/03-12/04	5-10	M1	17235
CHEVROLET	Kalos	B	1.4	1399	69	03/05-05/08	5-10	M1	18534
CHEVROLET	Kalos	B	1.4	1399	69	03/05-05/08	5-10	M1	18534
CHEVROLET	Kalos	B	1.4	1399	61	03/05-10/06	5-10	M1	18531
CHEVROLET	Kalos	B	1.4	1399	61	03/05-10/06	5-10	M1	18531
CHEVROLET	Kalos	B	1.2	1150	53	01/05-05/08	5-10	M1	18530
CHEVROLET	Kalos	B	1.2	1150	53	01/05-05/08	5-10	M1	18530
CHEVROLET	Aveo	B	1.5	1498	62	01/05-05/08	5-10	M1	55817

OE INFORMATION

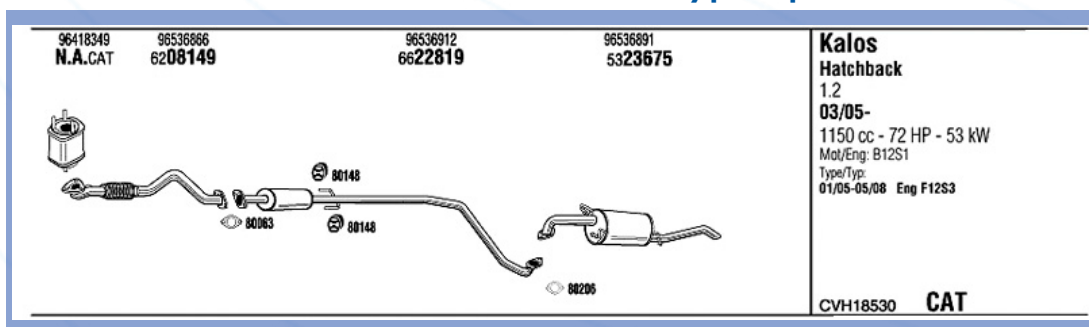
OE reference		
96536891		
96536892		

COMPETITOR DATA

Name	Number
AS	
BM Catalysts	
Bosal	141-219
Klarius	
MTS	
Veneporte	

PICTURES

Muffler type: Spun



PRODUCT & LOGISTIC INFO

Stock Code	52
Approval number	E1 03.9600
Weight (kg)	4,50
EAN 13	3277490236753



Online Catalogue:
www.walkercatalogue.eu



23677 Intermediate Silencer

CHEVROLET Matiz

APPLICATION INFO

MAKE	MODEL	FUEL	STROKE	CC	KW	YEAR	YEAR SEG	SEGMENT	KTYPE
CHEVROLET	Spark	B	1.0	995	49	03/05-12/06	5-10	M1	18859/55611
CHEVROLET	Spark	B	1.0	995	49	03/05-12/06	5-10	M1	18859/55611
CHEVROLET	Spark	B	0.8	796	37	09/05-02/10	5-10	M1	22305
CHEVROLET	Spark	B	0.8	796	37	09/05-02/10	5-10	M1	22305
CHEVROLET	Spark	B	0.8	796	37	09/05-02/10	5-10	M1	22305
CHEVROLET	Spark	B	0.8	796	37	09/05-02/10	5-10	M1	22305
CHEVROLET	Matiz	L	1.0	995	49	01/07-02/10	5-10	M1	503
CHEVROLET	Matiz	L	1.0	995	49	01/07-02/10	5-10	M1	503
CHEVROLET	Matiz	L	1.0	995	49	01/07-02/10	5-10	M1	503
CHEVROLET	Matiz	L	1.0	995	49	01/07-02/10	5-10	M1	503
CHEVROLET	Matiz	B	1.0	995	49	01/07>	<5	M1	18859
CHEVROLET	Matiz	B	1.0	995	49	01/07>	<5	M1	18859
CHEVROLET	Matiz	B	1.0	995	47	03/05-02/10	5-10	M1	18529
CHEVROLET	Matiz	B	1.0	995	47	03/05-02/10	5-10	M1	18529
CHEVROLET	Matiz	L	0.8	796	38	03/05-12/11	5-10	M1	430

OE INFORMATION

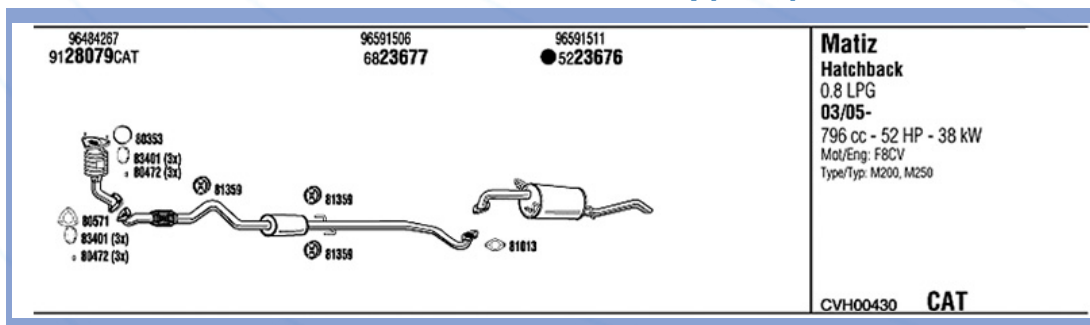
OE reference		
96414825		
96414826		
96591506		
96591519		

COMPETITOR DATA

Name	Number
AS	
BM Catalysts	
Bosal	292-005
Klarius	270763
MTS	
Veneporte	CH13003

PICTURES

Muffler type: Spun



PRODUCT & LOGISTIC INFO

Stock Code	68
Approval number	E1 03.7465
Weight (kg)	5,79
EAN 13	3277490236777



Online Catalogue:
www.walkercatalogue.eu



23708 Intermediate Silencer

NISSAN Note

APPLICATION INFO

MAKE	MODEL	FUEL	STROKE	CC	KW	YEAR	YEAR SEG	SEGMENT	KTYPE
NISSAN	Note	B	1.6	1598	81	01/06-08/13	<5	M4	19175

OE INFORMATION

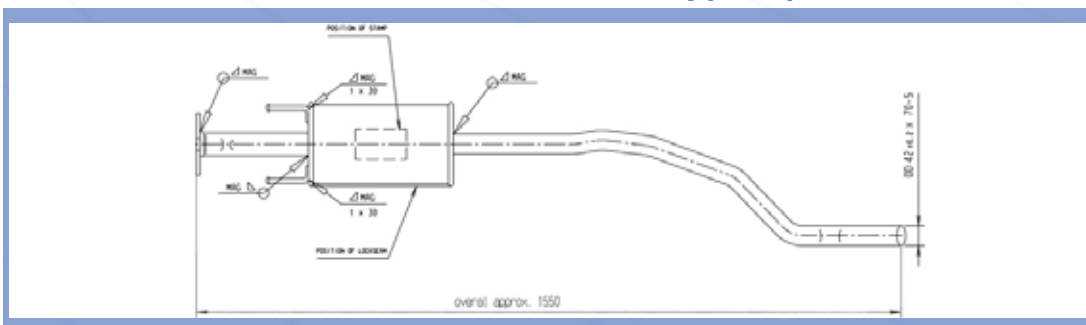
OE reference		
203009U21A		

COMPETITOR DATA

Name	Number
AS	
BM Catalysts	
Bosal	
Klarius	
MTS	
Veneporte	NS53483

PICTURES

Muffler type: Spun



PRODUCT & LOGISTIC INFO

Stock Code	65
Approval number	E24 03.1631
Weight (kg)	6,50
EAN 13	3277490237088



Online Catalogue:
www.walkercatalogue.eu



23800 Rear Silencer

OPEL Combo

APPLICATION INFO

MAKE	MODEL	FUEL	STROKE	CC	KW	YEAR	YEAR SEG	SEGMENT	KTYPE
VAUXHALL	Combo	D	1.7	1686	74	12/04-11/11	5-10	M6	26665
OPEL	Combo Tour	D	1.7	1686	74	07/04-01/11	5-10	M6	23132
OPEL	Combo	D	1.7	1686	74	07/04-12/12	5-10	M6	19948

OE INFORMATION

OE reference		
13107612		

COMPETITOR DATA

Name	Number
AS	
BM Catalysts	
Bosal	185-637
Klarius	130474
MTS	01.60786
Veneporte	OP40826

PICTURES

Muffler type: Spun

855192 9128189CAT	5854436 ● 9328173CAT	5854439 6510581	5852449 5223800
----------------------	-------------------------	--------------------	--------------------

Combo Box
1.7 CDTI
12/04-
1686 cc - 101 HP - 74 kW
Mot/Eng: Z 17 DTH
Type/Typ:
Without DPF 07/04-12/12 Mod F25

OPH19948A **CAT**

PRODUCT & LOGISTIC INFO

Stock Code	52
Approval number	E1 03.8252
Weight (kg)	5,76
EAN 13	3277490238009



Online Catalogue:
www.walkercatalogue.eu



23819 Rear Silencer

DACIA Logan

APPLICATION INFO

MAKE	MODEL	FUEL	STROKE	CC	KW	YEAR	YEAR SEG	SEGMENT	KTYPE
RENAULT	Logan MCV	B	1.6	1598	77	04/07-11/12	<5	M1	26545
RENAULT	Logan MCV	B	1.6	1598	64	04/07-11/12	<5	M1	26544
RENAULT	Logan MCV	B	1.4	1390	55	10/07-11/12	<5	M1	26546
RENAULT	Logan	B	1.6	1598	64	04/07-08/12	<5	M1	59105
DACIA	Logan MCV	B	1.6	1598	62	05/10-06/13	<5	M1	6710
DACIA	Logan MCV	R	1.6	1598	77	11/09-06/13	<5	M1	7158
DACIA	Logan MCV	L	1.6	1598	62	08/06-06/13	<5	M1	33356
DACIA	Logan MCV	B	1.6	1598	77	08/06-06/13	<5	M1	19898
DACIA	Logan MCV	B	1.6	1598	64	08/06-06/13	<5	M1	19897
DACIA	Logan MCV	B	1.4	1390	55	08/06-12/12	5-10	M1	19896
DACIA	Logan	B	1.6	1598	62	05/10-06/13	<5	M1	7193
DACIA	Logan	B	1.6	1598	62	05/10-06/13	<5	M1	7192
DACIA	Logan	L	1.6	1598	62	05/10-12/12	<5	M1	11134
DACIA	Logan	B	1.6	1598	64	04/08-12/12	<5	M1	31129
DACIA	Logan	B	1.6	1598	64	10/07-06/13	<5	M1	31126

OE INFORMATION

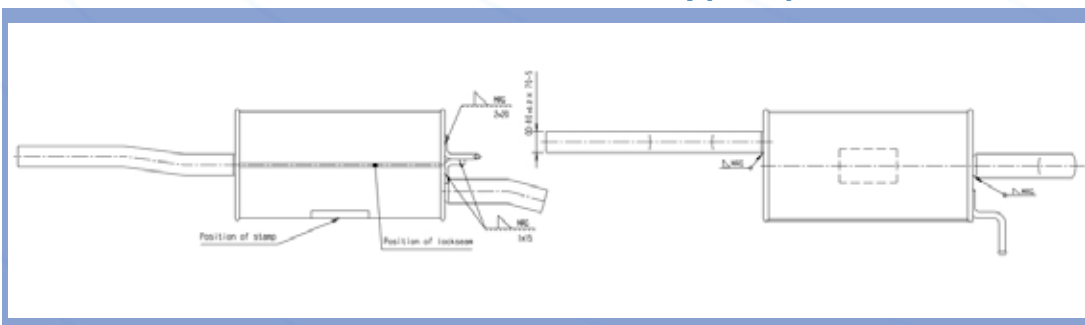
OE reference		
6001549415		
6001549416		

COMPETITOR DATA

Name	Number
AS	
BM Catalysts	
Bosal	200-005
Klarius	
MTS	01.61061
Veneporte	RN55262

PICTURES

Muffler type: Spun



PRODUCT & LOGISTIC INFO

Stock Code	53
Approval number	E1 03.10173
Weight (kg)	5,10
EAN 13	3277490238191



Online Catalogue:
www.walkercatalogue.eu



23838 Rear Silencer

FIAT 500

APPLICATION INFO

MAKE	MODEL	FUEL	STROKE	CC	KW	YEAR	YEAR SEG	SEGMENT	KTYPE
FIAT	500C	D	1.3	1248	55	06/09>	<5	M1	32826
FIAT	500	D	1.3	1248	55	07/07>	<5	M1	23177

OE INFORMATION

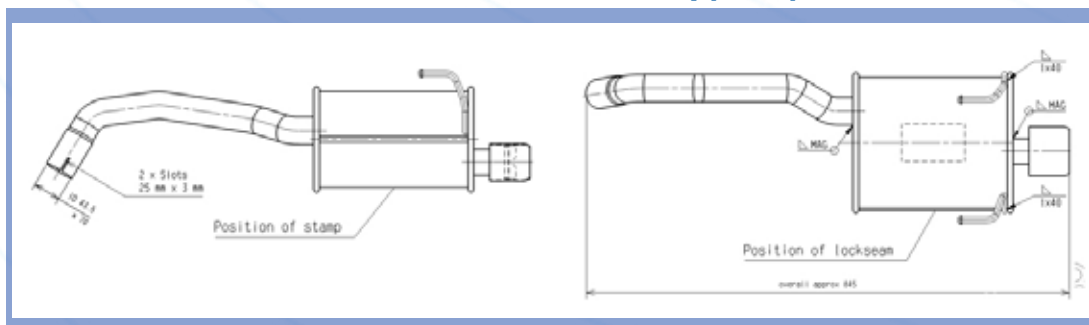
OE reference		
51786718		
51873783		
51893076		

COMPETITOR DATA

Name	Number
AS	
BM Catalysts	
Bosal	148-177
Klarius	231117
MTS	01.60827
Veneporte	FA25793

PICTURES

Muffler type: Spun



PRODUCT & LOGISTIC INFO

Stock Code	52
Approval number	E1 03.9201
Weight (kg)	5,16
EAN 13	3277490238382



Online Catalogue:
www.walkercatalogue.eu



23855 Intermediate Silencer

FIAT Panda

APPLICATION INFO

MAKE	MODEL	FUEL	STROKE	CC	KW	YEAR	YEAR SEG	SEGMENT	KTYPE
FIAT	Panda	B	1.4	1368	74	06/06-12/11	5-10	M1	22540
FIAT	500C	B	1.4	1368	74	06/09>	<5	M1	32827
FIAT	500	B	1.4	1368	74	07/07>	<5	M1	23176

OE INFORMATION

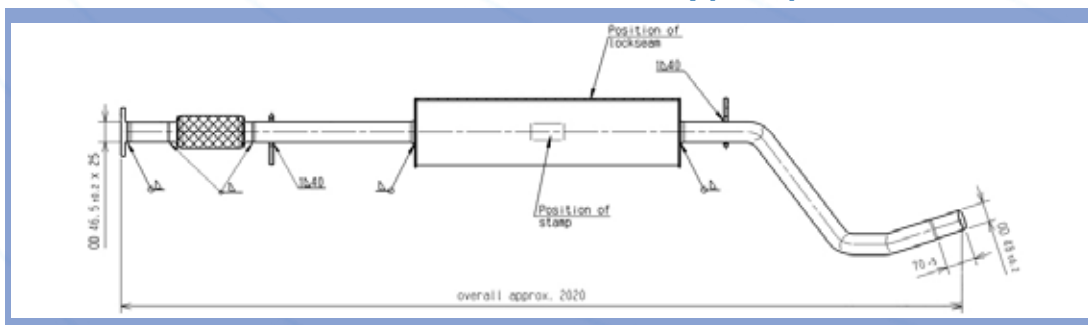
OE reference		
51788194		

COMPETITOR DATA

Name	Number
AS	
BM Catalysts	
Bosal	287-161
Klarius	261085
MTS	01.50603
Veneporte	FA25751

PICTURES

Muffler type: Spun



PRODUCT & LOGISTIC INFO

Stock Code	67
Approval number	E1 03.7892
Weight (kg)	8,14
EAN 13	3277490238559



Online Catalogue:
www.walkercatalogue.eu



23911 Rear Silencer

FORD Fiesta

APPLICATION INFO

MAKE	MODEL	FUEL	STROKE	CC	KW	YEAR	YEAR SEG	SEGMENT	KTYPE
FORD	Fiesta Van	D	1.4	1399	50	05/02-12/10	5-10	M1	26670
FORD	Fiesta	D	1.4	1399	50	05/02-07/08	5-10	M1	16102
FORD	Fiesta	D	1.4	1399	50	05/02-07/08	5-10	M1	16102

OE INFORMATION

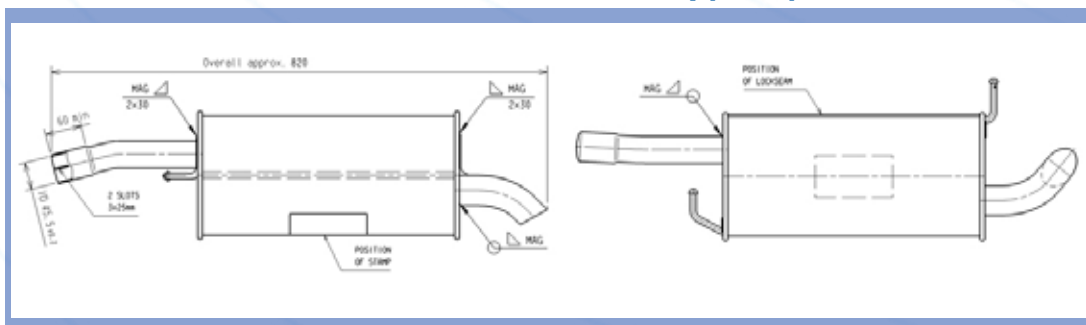
OE reference		
1383134		
1557520		
1578104		
5S615K244KA		
5S615K244KB		
ME5S6J5K244K1A		

COMPETITOR DATA

Name	Number
AS	
BM Catalysts	
Bosal	154-447
Klarius	220831
MTS	01.60596
Veneporte	FD30568

PICTURES

Muffler type: Spun



PRODUCT & LOGISTIC INFO

Stock Code	52
Approval number	E1 03.8152
Weight (kg)	5,70
EAN 13	3277490239112



Online Catalogue:
www.walkercatalogue.eu



1ST TO MARKET

23921

Rear Silencer

VOLKSWAGEN Caddy

APPLICATION INFO

MAKE	MODEL	FUEL	STROKE	CC	KW	YEAR	YEAR SEG	SEGMENT	KTYPE
VOLKSWAGEN	Caddy Maxi	G	2.0	1984	80	04/06-08/10	5-10	M6	19692
VOLKSWAGEN	Caddy Maxi	G	2.0	1984	80	04/06-08/10	5-10	M6	19666
VOLKSWAGEN	Caddy	G	2.0	1984	80	04/06-08/10	5-10	M6	19692
VOLKSWAGEN	Caddy	G	2.0	1984	80	04/06-08/10	5-10	M6	19666

OE INFORMATION

OE reference		
2K0253609J		
JZW253609BS		

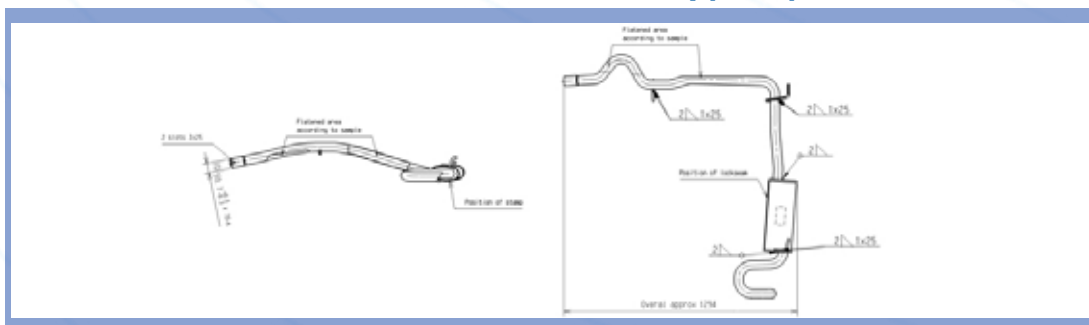
COMPETITOR DATA

Name	Number
AS	
BM Catalysts	
Bosal	
Klarius	
MTS	
Veneporte	

N/A

PICTURES

Muffler type: Spun



PRODUCT & LOGISTIC INFO

Stock Code	64
Approval number	E24 03.2099
Weight (kg)	8,34
EAN 13	3277490239211



Online Catalogue:
www.walkercatalogue.eu



28197 Catalytic Converter

BMW 118d

APPLICATION INFO

MAKE	MODEL	FUEL	STROKE	CC	KW	YEAR	YEAR SEG	SEGMENT	KTYPE
BMW	X1 sDrive 20d	D	2.0	1995	120	03/10>	<5	M5	34989
BMW	X1 sDrive 20d	D	2.0	1995	130	10/09>	<5	M5	32116
BMW	X1 sDrive 18d	D	2.0	1995	100	12/09>	<5	M5	34990
BMW	X1 sDrive 18d	D	2.0	1995	105	12/09>	<5	M5	32113
BMW	320d Touring	D	2.0	1995	135	03/10-10/12	<5	M2	33389
BMW	320d Touring	D	2.0	1995	130	06/07-10/12	<5	M2	25482
BMW	320d Touring	D	2.0	1995	120	09/05-10/12	5-10	M2	18761
BMW	320d Coupe	D	2.0	1995	135	03/10>	<5	M2	33392
BMW	320d Coupe	D	2.0	1995	130	03/07-08/08	5-10	M2	30353
BMW	320d Coupe	D	2.0	1995	120	03/07>	<5	M2	53615
BMW	320d Coupe	D	2.0	1995	130	02/07-08/09	5-10	M2	22534
BMW	320d	D	2.0	1995	135	03/10-12/11	<5	M2	33387
BMW	320d	D	2.0	1995	130	06/07-12/11	5-10	M2	25471
BMW	320d	D	2.0	1995	120	01/05-12/11	5-10	M2	18452
BMW	318d Touring	D	2.0	1995	100	09/07-10/12	<5	M2	3980

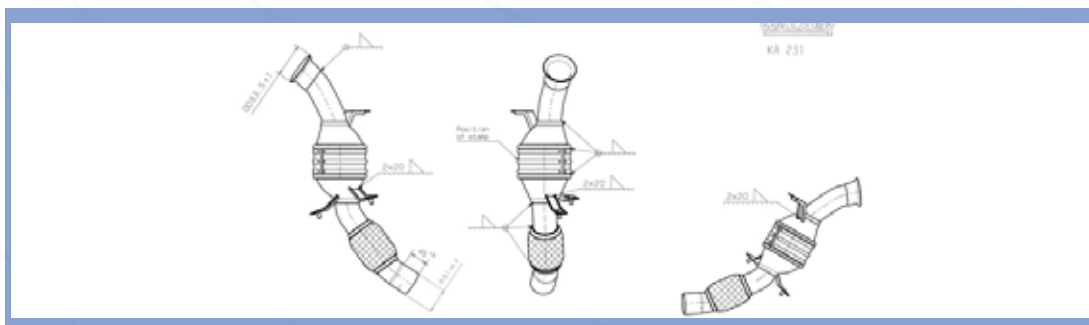
OE INFORMATION

OE reference		
18307797642		
18307812287		

COMPETITOR DATA

Name	Number
AS	
BM Catalysts	
Bosal	
Klarius	322417
MTS	
Veneporte	

PICTURES



PRODUCT & LOGISTIC INFO

Stock Code	92
Approval number	E1 103 R-000112
Weight (kg)	3,50
EAN 13	3277490281975



Online Catalogue:
www.walkercatalogue.eu



28272 Catalytic Converter

MERCEDES Sprinter

APPLICATION INFO

MAKE	MODEL	FUEL	STROKE	CC	KW	YEAR	YEAR SEG	SEGMENT	KTYPE
MERCEDES	Sprinter 416D	D	2.7	2685	115	04/00-05/06	> 10	M7	14986
MERCEDES	Sprinter 416D	D	2.7	2685	115	04/00-05/06	> 10	M7	15003
MERCEDES	Sprinter 416D	D	2.7	2685	115	04/00-05/06	> 10	M7	15000
MERCEDES	Sprinter 416D	D	2.7	2685	115	04/00-05/06	> 10	M7	14985
MERCEDES	Sprinter 416D	D	2.7	2685	115	04/00-05/06	> 10	M7	14976
MERCEDES	Sprinter 316D	D	2.7	2685	115	08/02-05/06	5-10	M7	17051
MERCEDES	Sprinter 316D	D	2.7	2685	115	08/02-05/06	5-10	M7	17055
MERCEDES	Sprinter 316D	D	2.7	2685	115	08/02-05/06	5-10	M7	17062
MERCEDES	Sprinter 316D	D	2.7	2685	115	04/00-05/06	> 10	M7	14828
MERCEDES	Sprinter 316D	D	2.7	2685	115	04/00-05/06	> 10	M7	14840
MERCEDES	Sprinter 316D	D	2.7	2685	115	04/00-05/06	> 10	M7	14844
MERCEDES	Sprinter 216D	D	2.7	2685	115	04/00-05/06	> 10	M7	14832
MERCEDES	Sprinter 216D	D	2.7	2685	115	04/00-05/06	> 10	M7	14836
MERCEDES	Sprinter 216D	D	2.7	2685	115	04/00-05/06	> 10	M7	14824

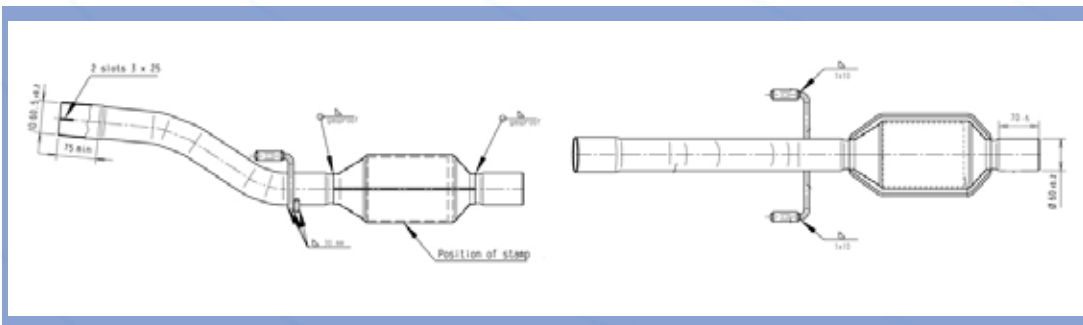
OE INFORMATION

OE reference		
9014902319		
9014902919		

COMPETITOR DATA

Name	Number
AS	71254D
BM Catalysts	BM80305H
Bosal	099-415
Klarius	
MTS	
Veneporte	ME50312K

PICTURES



PRODUCT & LOGISTIC INFO

Stock Code	92
Approval number	E1 103 R-000486
Weight (kg)	4,35
EAN 13	3277490282729



Online Catalogue:
www.walkercatalogue.eu



28276 Catalytic Converter

MERCEDES Sprinter

APPLICATION INFO

MAKE	MODEL	FUEL	STROKE	CC	KW	YEAR	YEAR SEG	SEGMENT	KTYPE
MERCEDES	Sprinter 414	D	2.9	2874	90	05/97-05/06	> 10	M7	26984
MERCEDES	Sprinter 412D	D	2.9	2874	90	04/00-07/01	> 10	M7	14992
MERCEDES	Sprinter 412D	D	2.9	2874	90	06/97-05/06	> 10	M7	15010
MERCEDES	Sprinter 412D	D	2.9	2874	85	06/97-05/06	> 10	M7	15008
MERCEDES	Sprinter 412D	D	2.9	2874	90	06/97-05/06	> 10	M7	14993
MERCEDES	Sprinter 412D	D	2.9	2874	85	06/97-05/06	> 10	M7	14991
MERCEDES	Sprinter 412D	D	2.9	2874	85	02/96-05/06	> 10	M7	14990
MERCEDES	Sprinter 412D	D	2.9	2874	85	04/95-05/06	> 10	M7	15007
MERCEDES	Sprinter 412D	D	2.9	2874	90	02/95-05/06	> 10	M7	15009
MERCEDES	Sprinter 412D	D	2.9	2874	90	02/95-08/98	> 10	M7	14992
MERCEDES	Sprinter 410D	D	2.9	2874	75	04/00-07/01	> 10	M7	14988
MERCEDES	Sprinter 410D	D	2.9	2874	75	06/97-05/06	> 10	M7	15006
MERCEDES	Sprinter 410D	D	2.9	2874	75	06/97-05/06	> 10	M7	14989
MERCEDES	Sprinter 410D	D	2.9	2874	75	01/97-05/06	> 10	M7	14988
MERCEDES	Sprinter 410D	D	2.9	2874	75	01/97-07/01	> 10	M7	15005

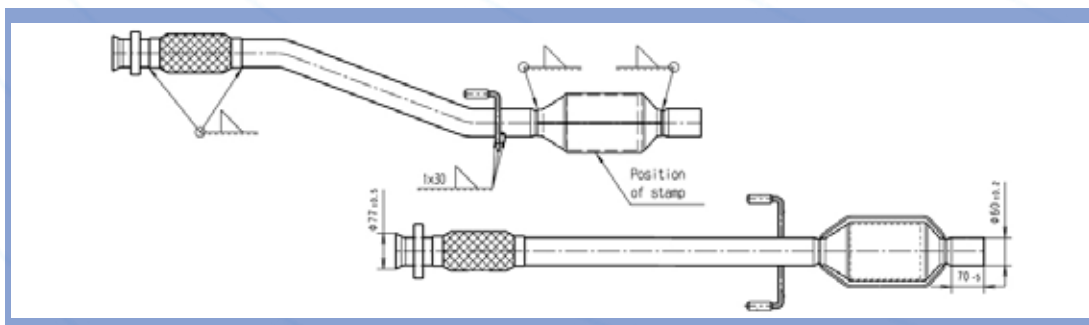
OE INFORMATION

OE reference		
9014901219		
9014901219SP21		
9014901619		
9014901619SP21		

COMPETITOR DATA

Name	Number
AS	
BM Catalysts	
Bosal	099-512
Klarius	
MTS	04.3917
Veneporte	ME50296K/ME50342K

PICTURES



PRODUCT & LOGISTIC INFO

Stock Code	94
Approval number	E1 103 R-000486
Weight (kg)	5,70
EAN 13	3277490282767



Online Catalogue:
www.walkercatalogue.eu



1ST TO MARKET

28338 Catalytic Converter

MERCEDES A & B Class

APPLICATION INFO

MAKE	MODEL	FUEL	STROKE	CC	KW	YEAR	YEAR SEG	SEGMENT	KTYPE
MERCEDES	B200	D	2.0	1991	100	03/05-11/11	5-10	M4	54958
MERCEDES	B200	D	2.0	1991	103	03/05-11/11	5-10	M4	18508
MERCEDES	B180	D	2.0	1991	80	03/05-11/11	5-10	M4	18507
MERCEDES	A200	D	2.0	1991	100	09/04-06/12	5-10	M2	8904
MERCEDES	A200	D	2.0	1991	103	09/04-06/12	5-10	M2	18265
MERCEDES	A180	D	2.0	1991	80	09/04-06/12	5-10	M2	18264
MERCEDES	A160	D	2.0	1991	60	09/04-06/12	5-10	M2	18263

OE INFORMATION

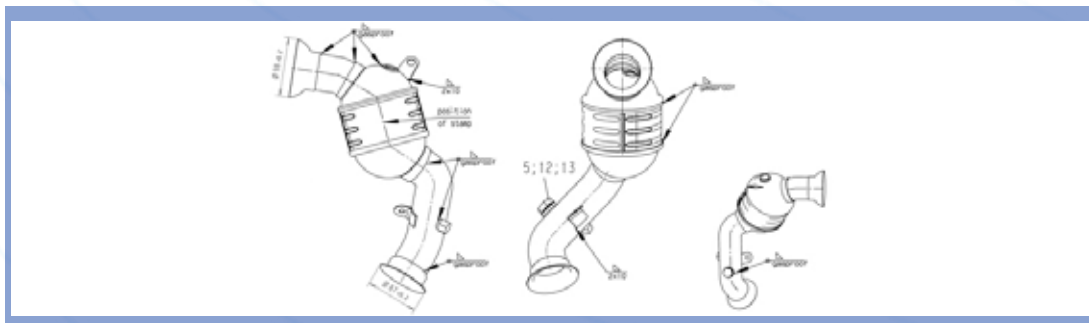
OE reference		
1694903452		

COMPETITOR DATA

Name	Number
AS	
BM Catalysts	
Bosal	
Klarius	
MTS	
Veneporte	

N/A

PICTURES



PRODUCT & LOGISTIC INFO

Stock Code	91
Approval number	E1 103 R-000493
Weight (kg)	3,10
EAN 13	3277490283382



Online Catalogue:
www.walkercatalogue.eu



73009 DPF

PEUGEOT 807

APPLICATION INFO

MAKE	MODEL	FUEL	STROKE	CC	KW	YEAR	YEAR SEG	SEGMENT	KTYPE
PEUGEOT	807	D	2.2	2179	94	08/02-05/06	5-10	M4	16670
PEUGEOT	807	D	2.0	1997	79	06/02-05/06	5-10	M4	16669
LANCIA	Phedra	D	2.2	2179	94	03/02-02/06	5-10	M4	16807
LANCIA	Phedra	D	2.0	1997	79	07/03-11/10	5-10	M4	17797
FIAT	Ulysse	D	2.2	2179	94	08/02-08/06	5-10	M4	16895
FIAT	Ulysse	D	2.0	1997	79	05/03-08/06	5-10	M4	17494
CITROEN	C8	D	2.2	2179	94	04/02-07/06	5-10	M4	16730
CITROEN	C8	D	2.0	1997	79	04/02-08/07	5-10	M4	16729

OE INFORMATION

OE reference		
1731Y3		

COMPETITOR DATA

Name	Number
AS	
BM Catalysts	BM11010/BM11010P
Bosal	
Klarius	390110/390113
MTS	17.00011
Veneporte	LC43292F

PICTURES

1731ES
9220921CAT
1731Y3
9173009DPF
1717R2
6408228
1726LZ
6322849
IK 86211
C8
MPV
2.2 HDi
07/02-
2179 cc - 128 HP - 94 kW
Mot/Eng: 4HW (DW12TED4)
Type/Typ: EA-, EB-
DPF type Cordierite
04/02-10/03 Mod EB4AWB, EB4HWG
6110436
1714E4
6110437
1714E5
CIH16730AB DPF



PRODUCT & LOGISTIC INFO

Stock Code	91
Approval number	E24 103 R-000189
Weight (kg)	6,89
EAN 13	3277490730091



Online Catalogue:
www.walkercatalogue.eu



73014 DPF

PEUGEOT 308

APPLICATION INFO

MAKE	MODEL	FUEL	STROKE	CC	KW	YEAR	YEAR SEG	SEGMENT	KTYPE
PEUGEOT	Partner Tepee	D	1.6	1560	80	04/08>	<5	M6	24533
PEUGEOT	Partner Tepee	D	1.6	1560	66	04/08>	<5	M6	24532
PEUGEOT	407 SW	D	1.6	1560	80	08/04-12/10	5-10	M2	18015
PEUGEOT	407	D	1.6	1560	80	05/04-12/10	5-10	M2	17986
PEUGEOT	308 SW	D	1.6	1560	82	12/09>	<5	M2	33273
PEUGEOT	308 SW	D	1.6	1560	80	09/07>	<5	M2	26615
PEUGEOT	308	D	1.6	1560	80	09/07>	<5	M2	23383
PEUGEOT	308	D	1.6	1560	66	09/07>	<5	M2	23382
PEUGEOT	307 SW	D	1.6	1560	66	04/05-04/08	5-10	M2	19405/23722
PEUGEOT	307 SW	D	1.6	1560	80	11/03-04/08	5-10	M2	17992/17993
PEUGEOT	307	D	1.6	1560	66	07/05-03/09	5-10	M2	19341
PEUGEOT	307	D	1.6	1560	80	04/04-03/09	5-10	M2	17989
PEUGEOT	207 SW	D	1.6	1560	80	08/07-12/12	<5	M1	23389
PEUGEOT	207 CC	D	1.6	1560	80	11/06-12/12	5-10	M1	20030
PEUGEOT	207	D	1.6	1560	80	02/06-10/13	<5	M1	19353

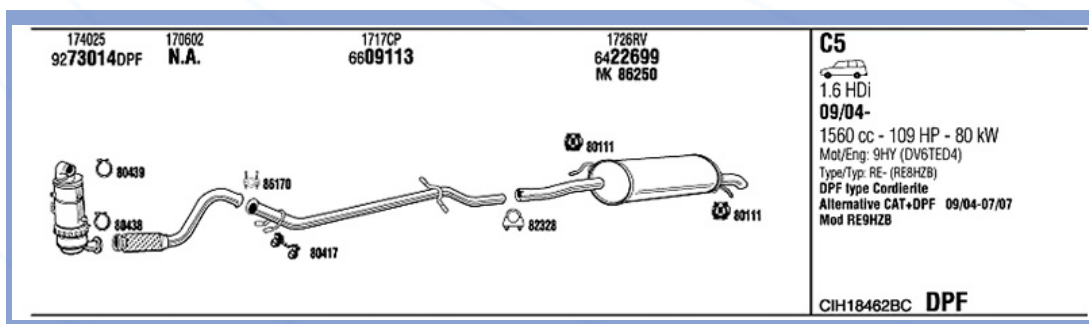
OE INFORMATION

OE reference	
1731EN	1731RJ
1731EP	1731XP
1731JT	174016
1731PN	174025
1731PT	
1731QH	
1731QJ	

COMPETITOR DATA

Name	Number
AS	
BM Catalysts	BM11013/BM11013H/
Bosch	095-105/DPO-051/DPO-102
Klarius	
MTS	
Veneporte	PG45741F

PICTURES



PRODUCT & LOGISTIC INFO

Stock Code	92
Approval number	E24 103 R-000197
Weight (kg)	5,77
EAN 13	3277490730145



Online Catalogue:
www.walkercatalogue.eu



73017 DPF

RENAULT Megane

APPLICATION INFO

MAKE	MODEL	FUEL	STROKE	CC	KW	YEAR	YEAR SEG	SEGMENT	KTYPE
RENAULT	Scenic	D	1.9	1870	96	06/03-11/08	5-10	M4	18781
RENAULT	Megane Estate/Break	D	2.0	1995	110	09/05-07/09	5-10	M2	19399
RENAULT	Megane Estate/Break	D	1.9	1870	96	05/05-07/09	5-10	M2	18787
RENAULT	Megane Estate/Break	D	1.9	1870	88	08/03-07/09	5-10	M2	17734
RENAULT	Megane CC	D	2.0	1995	110	09/05-03/09	5-10	M2	19400
RENAULT	Megane CC	D	1.9	1870	96	05/05-02/07	5-10	M2	18783
RENAULT	Megane CC	D	1.9	1870	88	09/03-03/09	5-10	M2	17723
RENAULT	Megane CC	D	1.9	1870	81	08/03-03/09	5-10	M2	19397
RENAULT	Megane	D	2.0	1995	110	09/05-02/08	5-10	M2	19398
RENAULT	Megane	D	1.9	1870	96	05/05-11/08	5-10	M2	18786
RENAULT	Megane	D	1.9	1870	81	05/05-11/08	5-10	M2	19041
RENAULT	Megane	D	1.9	1870	96	05/05-02/08	5-10	M2	18792
RENAULT	Megane	D	1.9	1870	81	05/05-02/08	5-10	M2	19040
RENAULT	Megane	D	1.9	1870	88	08/03-11/08	5-10	M2	17729
RENAULT	Grand Scenic	D	1.9	1870	96	03/04-02/08	5-10	M4	19039

OE INFORMATION

OE reference		
8200568605		
8200598460		
8200847557		

COMPETITOR DATA

Name	Number
AS	
BM Catalysts	BM11022/BM11022P
Bosal	
Klarius	
MTS	17.00087
Veneporte	RN55925F

PICTURES

8200570186 9120977CAT	8200568585 N.A.	8200847557 9273017DPF	8200447377 6408231	8200189575 6422795
--------------------------	--------------------	--------------------------	-----------------------	-----------------------

Megane II
Coupé-Cabriolet
1.9 dCi
05/05-
1870 cc - 131 HP - 96 kW
Mot/Eng: F9Q 803
Type/Typ: EM03/1-
DPF type Cordierite Eng F9Q 816

REH18783BB DPF



PRODUCT & LOGISTIC INFO

Stock Code	92
Approval number	E24 103 R-000193
Weight (kg)	8,76
EAN 13	3277490730176



Online Catalogue:
www.walkercatalogue.eu



73019 DPF

OPEL Astra

APPLICATION INFO

MAKE	MODEL	FUEL	STROKE	CC	KW	YEAR	YEAR SEG	SEGMENT	KTYPE
OPEL	Astra Van	D	1.9	1910	88	08/04-12/12	5-10	M2	9246
OPEL	Astra GTC	D	1.9	1910	88	09/05-09/11	5-10	M2	19464
OPEL	Astra GTC	D	1.9	1910	74	08/05-09/11	5-10	M2	19287
OPEL	Astra GTC	D	1.9	1910	88	03/05-09/11	5-10	M2	18300
OPEL	Astra GTC	D	1.9	1910	110	03/05-09/11	5-10	M2	18301
OPEL	Astra	D	1.9	1910	88	09/05-06/10	5-10	M2	19118
OPEL	Astra	D	1.9	1910	74	08/05-12/10	5-10	M2	19119
OPEL	Astra	D	1.9	1910	74	08/05-12/10	5-10	M2	19120
OPEL	Astra	D	1.9	1910	110	09/04-12/11	5-10	M2	18072
OPEL	Astra	D	1.9	1910	88	08/04-12/12	5-10	M2	18245
OPEL	Astra	D	1.9	1910	110	08/04-12/10	5-10	M2	18080
OPEL	Astra	D	1.9	1910	88	06/04-12/11	5-10	M2	19117
OPEL	Astra	D	1.9	1910	88	04/04-12/11	5-10	M2	18244

OE INFORMATION

OE reference		
855237		

COMPETITOR DATA

Name	Number
AS	
BM Catalysts	
Bosal	
Klarius	390250
MTS	17.00016
Veneporte	OP40121F

PICTURES

5854236 9120846CAT(B)	5854304 6409539	855237 9673019DPF(C) MK 87653	5852467 5223147(D)	Astra H Hatchback GTC 1.9 CDTi 03/05- 1910 cc - 120 HP - 88 kW Mot/Eng: Z 19 DTJ Type/Typ: DPF type Cordierite 03/05-09/11 Model L08 (A) Chassis Nbr -72147197 (B) Chassis Nbr 72147198- (C) CAT included (D) Not Sport (E) Only Sport OPH18300BB DPF
N.A.CAT(A) 855248			5223229(E) 5852468	



PRODUCT & LOGISTIC INFO

Stock Code	96
Approval number	E24 103 R-000194
Weight (kg)	9,42
EAN 13	3277490730190



Online Catalogue:
www.walkercatalogue.eu



73020 DPF

OPEL Astra

APPLICATION INFO

MAKE	MODEL	FUEL	STROKE	CC	KW	YEAR	YEAR SEG	SEGMENT	KTYPE
VAUXHALL	Astra GTC	D	1.9	1910	74	08/05-09/11	5-10	M2	28030
VAUXHALL	Astra GTC	D	1.9	1910	74	08/05-09/11	5-10	M2	28030
VAUXHALL	Astra	D	1.9	1910	88	01/04-05/09	5-10	M2	19132
VAUXHALL	Astra	D	1.9	1910	88	01/04-05/09	5-10	M2	19132
VAUXHALL	Astra	D	1.9	1910	110	01/04-05/09	5-10	M2	18121
OPEL	Astra GTC	D	1.9	1910	88	09/05-09/11	5-10	M2	19464
OPEL	Astra GTC	D	1.9	1910	74	08/05-09/11	5-10	M2	19287
OPEL	Astra GTC	D	1.9	1910	110	03/05-09/11	5-10	M2	18301
OPEL	Astra	D	1.9	1910	74	08/05-12/10	5-10	M2	19119
OPEL	Astra	D	1.9	1910	74	08/05-12/10	5-10	M2	19119
OPEL	Astra	D	1.9	1910	110	09/04-12/11	5-10	M2	18072
OPEL	Astra	D	1.9	1910	88	06/04-12/11	5-10	M2	19117
OPEL	Astra	D	1.9	1910	88	06/04-12/11	5-10	M2	19117

OE INFORMATION

OE reference		

COMPETITOR DATA

Name	Number
AS	
BM Catalysts	BM11076H
Bosal	
Klarius	390344
MTS	
Veneporte	

PICTURES

855668 N.A.CAT	5854304 6409539	855659 9673020DPF(C) NK 87653	5852467 5223147(A)	Astra H Hatchback 1.9 CDTi 09/05- 1910 cc - 100 HP - 74 kW Mot/Eng: Z 19 DTL DPF type Cordierite 08/05- Model L08.L48 Chassis Nbr 72147199- (A) Not Sport (B) Only Sport (C) CAT included OPH19119BH DPF
			5223229(B) 5852468	



PRODUCT & LOGISTIC INFO

Stock Code	91
Approval number	E24 103 R-000194
Weight (kg)	9,22
EAN 13	3277490730206



Online Catalogue:
www.walkercatalogue.eu



73021 DPF

OPEL Zafira

APPLICATION INFO

MAKE	MODEL	FUEL	STROKE	CC	KW	YEAR	YEAR SEG	SEGMENT	KTYPE
OPEL	Zafira Van	D	1.9	1910	110	07/05>	<5	M4	18689
OPEL	Zafira Van	D	1.9	1910	88	07/05>	<5	M4	18691
OPEL	Zafira	D	1.9	1910	88	07/05-12/12	5-10	M4	18691
OPEL	Zafira	D	1.9	1910	74	07/05-12/10	5-10	M4	18690
OPEL	Zafira	D	1.9	1910	110	07/05>	<5	M4	18689

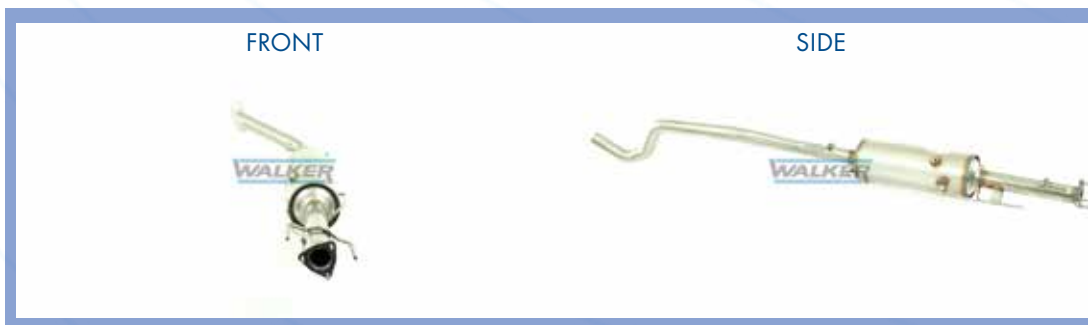
OE INFORMATION

OE reference		
5850140		

COMPETITOR DATA

Name	Number
AS	
BM Catalysts	BM11028H
Bosal	
Klarius	390138
MTS	17.00018
Veneporte	OP40115F

PICTURES



PRODUCT & LOGISTIC INFO

Stock Code	96
Approval number	E24 103 R-000194
Weight (kg)	9,69
EAN 13	3277490730213



Online Catalogue:
www.walkercatalogue.eu



73022 DPF

OPEL Zafira

APPLICATION INFO

MAKE	MODEL	FUEL	STROKE	CC	KW	YEAR	YEAR SEG	SEGMENT	KTYPE
OPEL	Zafira Van	D	1.9	1910	110	07/05>	<5	M4	18689
OPEL	Zafira Van	D	1.9	1910	88	07/05>	<5	M4	18691
OPEL	Zafira	D	1.9	1910	88	07/05-12/12	5-10	M4	18691
OPEL	Zafira	D	1.9	1910	74	07/05-12/10	5-10	M4	18690
OPEL	Zafira	D	1.9	1910	110	07/05>	<5	M4	18689

OE INFORMATION

OE reference		
855520		
855666		

COMPETITOR DATA

Name	Number
AS	
BM Catalysts	
Bosal	
Klarius	390276
MTS	17.00018
Veneporte	OP40059F

PICTURES



PRODUCT & LOGISTIC INFO

Stock Code	96
Approval number	E24 103 R-000194
Weight (kg)	9,49
EAN 13	3277490730220



Online Catalogue:
www.walkercatalogue.eu





73025 DPF

RENAULT Scenic

APPLICATION INFO

MAKE	MODEL	FUEL	STROKE	CC	KW	YEAR	YEAR SEG	SEGMENT	KTYPE
RENAULT	Scenic	D	1.5	1461	78	04/05-11/08	5-10	M4	18780
RENAULT	Megane Estate/Break	D	1.5	1461	78	10/03-06/08	5-10	M2	18788
RENAULT	Megane CC	D	1.5	1461	78	06/05-06/08	5-10	M2	19678
RENAULT	Megane	D	1.5	1461	78	05/05-06/08	5-10	M2	18791
RENAULT	Megane	D	1.5	1461	78	02/05-12/10	5-10	M2	18785

OE INFORMATION

OE reference		
8200568594		

COMPETITOR DATA

Name	Number
AS	
BM Catalysts	
Bosal	
Klarius	
MTS	
Veneporte	RN55281F

PICTURES

8200578825 N.A.CAT(A)	8200568588 N.A.	8200568594 9273025DPF	8200447377 6408231	8200189575 6422795
--------------------------	--------------------	--------------------------	-----------------------	-----------------------

Megane II
1.5 dCi
05/05-
1461 cc - 106 HP - 78 kW
Mat/Eng: K9K 732, K9K 734, K9K P 732
Type/Typ: KM0/1- (KM16, KM1E)
DPF type Cordierite
Eng K9K 734
(A) -08/07 (B) 09/07-

N.A.CAT(B)
8200578825

REH18788B DPF



PRODUCT & LOGISTIC INFO

Stock Code	92
Approval number	E24 103 R-000197
Weight (kg)	7,12
EAN 13	3277490730251



Online Catalogue:
www.walkercatalogue.eu





73036 DPF

FIAT Qubo

APPLICATION INFO

MAKE	MODEL	FUEL	STROKE	CC	KW	YEAR	YEAR SEG	SEGMENT	KTYPE
FIAT	Qubo	D	1.3	1248	55	09/08>	<5	M7	29487
FIAT	Fiorino	D	1.3	1248	55	02/08>	<5	M6	26660

OE INFORMATION

OE reference		
51823588		
51861469		

COMPETITOR DATA

Name	Number
AS	
BM Catalysts	
Bosal	
Klarius	
MTS	17.00093
Veneporte	FA25125F

PICTURES

55200518 9128030CAT	51823589 N.A.	51823588 9273036DPF	51804382 N.A.	51823590 N.A.	Fiorino Box 1.3 D 02/08- 1248 cc - 75 HP - 55 kW Mot/Eng: 199 A2.000, 199 A9.000 Type/Typ: DPF type Cordierite Eng 199 A2.000 Model 255BxB11, 225BxB1A FIH26660BB DPF
------------------------	------------------	------------------------	------------------	------------------	---



PRODUCT & LOGISTIC INFO

Stock Code	91
Approval number	E24 103 R-000199
Weight (kg)	4,42
EAN 13	3277490730367



Online Catalogue:
www.walkercatalogue.eu



**1ST TO
MARKET**

73052 DPF

FORD Transit

APPLICATION INFO

MAKE	MODEL	FUEL	STROKE	CC	KW	YEAR	YEAR SEG	SEGMENT	KTYPE
FORD	Transit 460	D	2.4	2402	85	04/06>	<5	M7	19576
FORD	Transit 460	D	2.4	2402	103	04/06>	<5	M7	19577
FORD	Transit 460	D	2.4	2402	103	04/06>	<5	M7	19602
FORD	Transit 430	D	2.4	2402	74	04/06>	<5	M7	19593
FORD	Transit 430	D	2.4	2402	103	04/06>	<5	M7	19573
FORD	Transit 430	D	2.4	2402	74	04/06>	<5	M7	19588
FORD	Transit 430	D	2.4	2402	74	04/06>	<5	M7	19600
FORD	Transit 430	D	2.4	2402	85	04/06>	<5	M7	19576
FORD	Transit 430	D	2.4	2402	103	04/06>	<5	M7	19577
FORD	Transit 430	D	2.4	2402	85	04/06>	<5	M7	19601
FORD	Transit 430	D	2.4	2402	85	04/06>	<5	M7	19572
FORD	Transit 370	D	2.4	2402	103	11/06>	<5	M7	23231
FORD	Transit 370	D	2.4	2402	74	04/06>	<5	M7	19593
FORD	Transit 370	D	2.4	2402	85	04/06>	<5	M7	19572
FORD	Transit 370	D	2.4	2402	103	04/06>	<5	M7	19573

OE INFORMATION

OE reference		
1485449	8C115H250AA	
1485950	8C115H250AB	
1494216	8C115H250AC	
1496792	8C115H250AD	
1509432	8C115H250AE	
1526935	8C115H250AF	
1549304	8C115H250AG	

COMPETITOR DATA

Name	Number
AS	
BM Catalysts	
Bosal	
Klarius	
MTS	
Veneporte	

N/A

PICTURES

1440914
9228166CAT

1485449
9273052DPF

4913065
6210560

Transit
Bus
2.4 TDCi
04/06-
2402 cc - 100 HP - 74 kW
Mot/Eng: PHFA, PHFC
Type/Typ:
DPF type Cordierite

FOH19593B **DPF**



PRODUCT & LOGISTIC INFO

Stock Code	92
Approval number	E24 103 R-000123
Weight (kg)	6,10
EAN 13	3277490730527



Online Catalogue:
www.walkercatalogue.eu



73063 DPF

MERCEDES A & B CLASS

APPLICATION INFO

MAKE	MODEL	FUEL	STROKE	CC	KW	YEAR	YEAR SEG	SEGMENT	KTYPE
MERCEDES	B200	D	2.0	1991	100	03/05-11/11	5-10	M4	54958
MERCEDES	B200	D	2.0	1991	103	03/05-11/11	5-10	M4	18508
MERCEDES	B180	D	2.0	1991	80	03/05-11/11	5-10	M4	18507
MERCEDES	A200	D	2.0	1991	100	09/04-06/12	5-10	M2	8904
MERCEDES	A200	D	2.0	1991	103	09/04-06/12	5-10	M2	18265
MERCEDES	A180	D	2.0	1991	80	09/04-06/12	5-10	M2	18264
MERCEDES	A160	D	2.0	1991	60	09/04-06/12	5-10	M2	18263

OE INFORMATION

OE reference		
1694900092		
1694900419		
1694900592		
1694900692		
1694902952		

COMPETITOR DATA

Name	Number
AS	
BM Catalysts	
Bosal	
Klarius	
MTS	
Veneporte	ME50369F

PICTURES

1694900550 9120952CAT	1694900419 9473063DPF	1694900022 N.A.	9064900621 N.A.
--------------------------	--------------------------	--------------------	--------------------

A 160
Hatchback
2.0 CDI
09/04-06/12
1991 cc - 82 HP - 60 kW
Mot/Eng: OM 640.942
Type/Typ: W169 (169.006, 169.306)
DPF type Cordierite
Mod 169306

MBH18263CC DPF



PRODUCT & LOGISTIC INFO

Stock Code	94
Approval number	E24 103R-000206
Weight (kg)	6,47
EAN 13	3277490730633



Online Catalogue:
www.walkercatalogue.eu



73071 DPF

ALFA ROMEO 159

APPLICATION INFO

MAKE	MODEL	FUEL	STROKE	CC	KW	YEAR	YEAR SEG	SEGMENT	KTYPE
ALFA ROMEO	159	D	1.9	1910	100	03/06-01/11	5-10	M2'	19783
ALFA ROMEO	159	D	1.9	1910	88	02/06-11/11	5-10	M2'	19448
ALFA ROMEO	159	D	1.9	1910	85	02/06-11/11	5-10	M2'	19784
ALFA ROMEO	159	D	1.9	1910	110	02/06-11/11	5-10	M2'	19449
ALFA ROMEO	159	D	1.9	1910	88	09/05-11/11	5-10	M2'	18929
ALFA ROMEO	159	D	1.9	1910	85	09/05-11/11	5-10	M2'	19470
ALFA ROMEO	159	D	1.9	1910	110	09/05-11/11	5-10	M2'	18930
ALFA ROMEO	159	D	1.9	1910	100	09/05-11/11	5-10	M2'	19471


OE INFORMATION

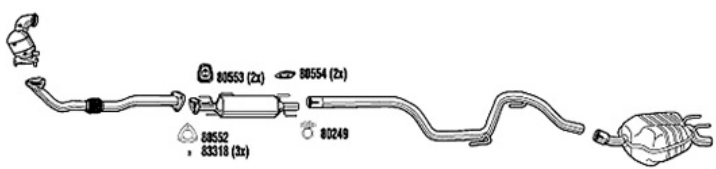
OE reference		
51786867		
51797130		
51831548		
51832671		

COMPETITOR DATA

Name	Number
AS	
BM Catalysts	BM11038H
Bosal	
Klarius	390143
MTS	17.00002
Veneporte	FA25867F

PICTURES

51767236 9128219CAT(A)	51752098 N.A.	51832671 9273071DPF	51763345 N.A.	51765424 N.A.(C)	159  1.9 JTDM 09/05-11/11 1910 cc - 150 HP - 110 kW Mot/Eng: 939 A2.000 Type/Typ: 939 DPF type Cordierite Mod 939AXC12? 939AXC18 (A) Ch Nbr -7066310 (B) Ch Nbr 7066311- (C) Without tailpipe cover (D) With tailpipe cover ARH18930AB DPF
---------------------------	------------------	------------------------	------------------	---------------------	--



N.A.CAT(B)
51797395

N.A.(D)
51799192



PRODUCT & LOGISTIC INFO

Stock Code	92
Approval number	E24 103 R-000194
Weight (kg)	7,57
EAN 13	3277490730718



Online Catalogue:
www.walkercatalogue.eu



73074 DPF

ALFA ROMEO 147

APPLICATION INFO

MAKE	MODEL	FUEL	STROKE	CC	KW	YEAR	YEAR SEG	SEGMENT	KTYPE
ALFA ROMEO	GT	D	1.9	1910	110	11/03-09/10	5-10	M3	17792
ALFA ROMEO	147	D	1.9	1910	88	06/05-03/10	5-10	M2	18932
ALFA ROMEO	147	D	1.9	1910	110	03/05-03/10	5-10	M2	18933
ALFA ROMEO	147	D	1.9	1910	85	04/01-09/07	5-10	M2	16441/19782

OE INFORMATION

OE reference		
51780162		
51800537		
51819779		

COMPETITOR DATA

Name	Number
AS	
BM Catalysts	
Bosal	
Klarius	
MTS	17.00023
Veneporte	

PICTURES

51800716 N.A.CAT	51784938 N.A.	51780162 9273074DPF	0060677363 6308229 ¹	55188136 N.A.
---------------------	------------------	------------------------	------------------------------------	------------------

N.A.
51795114

GT Coupé
1.9 JTD
11/03-
1910 cc - 150 HP - 110 kW
Mot/Eng: 937 A5.000
Type/Typ:
DPF type Cordierite
Euro 4 Mod 937CXN1B

ARH17792CB DPF



PRODUCT & LOGISTIC INFO

Stock Code	92
Approval number	E24 103 R-000194
Weight (kg)	7,77
EAN 13	3277490730749



Online Catalogue:
www.walkercatalogue.eu



1ST TO MARKET

73075 DPF

SUZUKI Grand Vitara

APPLICATION INFO

MAKE	MODEL	FUEL	STROKE	CC	KW	YEAR	YEAR SEG	SEGMENT	KTYPE
SUZUKI	Grand Vitara	D	1.9	1870	95	10/05>	<5	M5	19393

OE INFORMATION

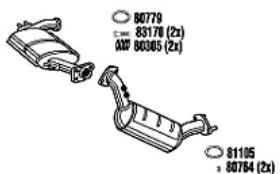
OE reference		
1419067J00H02		
1419067J01H02		

COMPETITOR DATA

Name	Number
AS	
BM Catalysts	
Bosal	
Klarius	
MTS	
Veneporte	

N/A

PICTURES

1413067JAOH02 9128192CAT	1419067J00H02 9273075DPF		Grand Vitara II Off-Road 4WD 1.9 DDiS 10/05- 1870 cc - 129 HP - 95 kW Mot/Eng: F9QB Type/Typ: JT DPF type Corlieite SZH19393B DPF
-----------------------------	-----------------------------	---	--



PRODUCT & LOGISTIC INFO

Stock Code	92
Approval number	E24 103 R-000193
Weight (kg)	6,32
EAN 13	3277490730756



Online Catalogue:
www.walkercatalogue.eu





73076 DPF

RENAULT Trafic II

APPLICATION INFO

MAKE	MODEL	FUEL	STROKE	CC	KW	YEAR	YEAR SEG	SEGMENT	KTYPE
VAUXHALL	Vivaro	D	2.5	2463	107	08/06>	<5	M7	27523
VAUXHALL	Vivaro	D	2.5	2463	107	08/06>	<5	M7	27522/34901
VAUXHALL	Vivaro	D	2.5	2463	107	08/06>	<5	M7	34899
RENAULT	Trafic II	D	2.5	2463	84	08/07>	<5	M7	31996
RENAULT	Trafic II	D	2.5	2463	84	08/07>	<5	M7	28516
RENAULT	Trafic II	D	2.5	2463	84	08/07>	<5	M7	3471
RENAULT	Trafic II	D	2.5	2463	107	08/06>	<5	M7	19863
RENAULT	Trafic II	D	2.5	2463	107	08/06>	<5	M7	19866

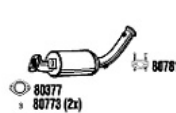
OE INFORMATION

OE reference		
93857807		
93857808		
93861026		

COMPETITOR DATA

Name	Number
AS	
BM Catalysts	
Bosal	
Klarius	
MTS	
Veneporte	RN55979F

PICTURES

<p>4417156 N.A.CAT 9273076DPF</p> 	<p>Vivaro Bus 2.5 CDTi 08/06- 2463 cc - 146 HP - 107 kW Mot/Eng: G9U 630 Type/Typ: J7 DPF type Cordierite</p> <p>OPH19924B DPF</p>
---	---



PRODUCT & LOGISTIC INFO

Stock Code	92
Approval number	E24 103 R-000193
Weight (kg)	5,77
EAN 13	3277490730763



Online Catalogue:
www.walkercatalogue.eu



73077 DPF

NISSAN Qashqai

APPLICATION INFO

MAKE	MODEL	FUEL	STROKE	CC	KW	YEAR	YEAR SEG	SEGMENT	KTYPE
NISSAN	Qashqai+2	D	2.0	1995	110	08/08-11/13	<5	M5	19888
NISSAN	Qashqai+2	D	2.0	1995	110	08/08-11/13	<5	M5	22942
NISSAN	Qashqai	D	2.0	1995	110	10/06-01/14	<5	M5	19888
NISSAN	Qashqai	D	2.0	1995	110	10/06-01/14	<5	M5	22942

OE INFORMATION

OE reference		
20010BR40A		
20010JD71A		
20010JD71B		

COMPETITOR DATA

Name	Number
AS	
BM Catalysts	BM11061/BM11061P
Bosal	095-211
Klarius	
MTS	
Veneporte	

PICTURES



PRODUCT & LOGISTIC INFO

Stock Code	92
Approval number	E24 103 R-000193
Weight (kg)	8,57
EAN 13	3277490730770



Online Catalogue:
www.walkercatalogue.eu



73082 DPF

FIAT Bravo

APPLICATION INFO

MAKE	MODEL	FUEL	STROKE	CC	KW	YEAR	YEAR SEG	SEGMENT	KTYPE
FIAT	Stilo	D	1.9	1910	88	09/05-08/08	5-10	M2	18911
FIAT	Stilo	D	1.9	1910	110	09/05-08/08	5-10	M2	18912
FIAT	Stilo	D	1.9	1910	88	09/05-06/07	5-10	M2	18907
FIAT	Stilo	D	1.9	1910	110	09/05-06/07	5-10	M2	18908
FIAT	Stilo	D	1.9	1910	66	09/04-08/08	5-10	M2	28830
FIAT	Stilo	D	1.9	1910	66	09/04-11/06	5-10	M2	19985
FIAT	Stilo	D	1.9	1910	85	01/03-08/08	5-10	M2	17137
FIAT	Stilo	D	1.9	1910	85	10/01-11/06	5-10	M2	16057
FIAT	Bravo	D	1.9	1910	66	04/07-12/08	5-10	M2	30327
FIAT	Bravo	D	1.9	1910	85	04/07-06/08	5-10	M2	5925
FIAT	Bravo	D	1.9	1910	88	04/07>	<5	M2	22544
FIAT	Bravo	D	1.9	1910	110	04/07>	<5	M2	22545

OE INFORMATION

OE reference		
51763720		
51780233		
51786112		
51800822		
51820450		
55197658		

COMPETITOR DATA

Name	Number
AS	
BM Catalysts	BM11036H
Bosal	
Klarius	
MTS	17.00037
Veneporte	FA25886F

PICTURES



PRODUCT & LOGISTIC INFO

Stock Code	92
Approval number	E24 103R-000210
Weight (kg)	5,07
EAN 13	3277490730824



Online Catalogue:
www.walkercatalogue.eu



73083 DPF

FIAT Doblo

APPLICATION INFO

MAKE	MODEL	FUEL	STROKE	CC	KW	YEAR	YEAR SEG	SEGMENT	KTYPE
FIAT	Doblo	D	1.9	1910	88	05/05-07/09	5-10	M6	19325

OE INFORMATION

OE reference		
51771692		
51791900		
51800823		
51818964		

COMPETITOR DATA

Name	Number
AS	
BM Catalysts	BM11036H
Bosal	
Klarius	
MTS	17.00010
Veneporte	FA25886F

PICTURES



PRODUCT & LOGISTIC INFO

Stock Code	92
Approval number	E24 103R-000210
Weight (kg)	5,07
EAN 13	3277490730831



Online Catalogue:
www.walkercatalogue.eu



**1ST TO
MARKET**

73085 DPF

OPEL Astra

APPLICATION INFO

MAKE	MODEL	FUEL	STROKE	CC	KW	YEAR	YEAR SEG	SEGMENT	KTYPE
VAUXHALL	Zafira	D	1.7	1686	92	03/07>	<5	M4	9178
VAUXHALL	Zafira	D	1.7	1686	81	03/07>	<5	M4	31394
VAUXHALL	Astra	D	1.7	1686	81	08/04-03/11	5-10	M2	32156
OPEL	Zafira Van	D	1.7	1686	92	01/08>	<5	M4	13979
OPEL	Zafira Van	D	1.7	1686	81	07/05>	<5	M4	9251
OPEL	Zafira	D	1.7	1686	92	03/07>	<5	M4	25503
OPEL	Zafira	D	1.7	1686	81	03/07>	<5	M4	25502
OPEL	Astra Van	D	1.7	1686	92	02/07-12/12	<5	M2	9250
OPEL	Astra Van	D	1.7	1686	81	05/06-12/12	5-10	M2	9249
OPEL	Astra GTC	D	1.7	1686	92	02/07-09/11	5-10	M2	22690
OPEL	Astra GTC	D	1.7	1686	81	02/07-10/10	5-10	M2	22687
OPEL	Astra	D	1.7	1686	92	02/07-12/11	5-10	M2	22689
OPEL	Astra	D	1.7	1686	81	02/07-10/10	5-10	M2	22686
OPEL	Astra	D	1.7	1686	81	02/07-06/10	5-10	M2	33843
OPEL	Astra	D	1.7	1686	92	10/06-12/12	5-10	M2	22691

OE INFORMATION

OE reference		
13216985		
13262122		
13335179		
13335180		
R1620197		
R1620249		

COMPETITOR DATA

Name	Number
AS	
BM Catalysts	
Bosal	
Klarius	
MTS	
Veneporte	

N/A

PICTURES



WALKER
DPF EVO G

PRODUCT & LOGISTIC INFO

Stock Code	95
Approval number	E24 103 R-000198
Weight (kg)	8,47
EAN 13	3277490730855



Online Catalogue:
www.walkercatalogue.eu

TENNECO

1ST TO MARKET

73088 DPF

RENAULT Laguna

APPLICATION INFO

MAKE	MODEL	FUEL	STROKE	CC	KW	YEAR	YEAR SEG	SEGMENT	KTYPE
RENAULT	Laguna Estate/Break	D	2.0	1995	131	03/08>	<5	M2'	26651
RENAULT	Laguna Estate/Break	D	2.0	1995	127	01/08>	<5	M2'	27532
RENAULT	Laguna Estate/Break	D	2.0	1995	110	01/08>	<5	M2'	23378
RENAULT	Laguna Estate/Break	D	2.0	1995	96	01/08>	<5	M2'	23377
RENAULT	Laguna	D	2.0	1995	131	03/08>	<5	M2'	26649
RENAULT	Laguna	D	2.0	1995	127	01/08>	<5	M2'	27531
RENAULT	Laguna	D	2.0	1995	110	10/07>	<5	M2'	23373
RENAULT	Laguna	D	2.0	1995	96	09/07>	<5	M2'	23372

OE INFORMATION

OE reference		
200100056R		
200100056RSP12		

COMPETITOR DATA

Name	Number
AS	
BM Catalysts	
Bosal	
Klarius	
MTS	
Veneporte	

N/A

PICTURES



WALKER
DPF EVO G

PRODUCT & LOGISTIC INFO

Stock Code	92
Approval number	E24 103 R-000193
Weight (kg)	6,47
EAN 13	3277490730886



Online Catalogue:
www.walkercatalogue.eu

TENNECO

73091 DPF

RENAULT Espace

APPLICATION INFO

MAKE	MODEL	FUEL	STROKE	CC	KW	YEAR	YEAR SEG	SEGMENT	KTYPE
RENAULT	Grand Espace	D	2.2	2188	102	04/06>	<5	M4	19675
RENAULT	Grand Espace	D	2.0	1995	127	04/06>	<5	M4	19359
RENAULT	Grand Espace	D	2.0	1995	110	04/06>	<5	M4	19358
RENAULT	Espace	D	2.2	2188	102	04/06>	<5	M4	19675
RENAULT	Espace	D	2.0	1995	96	08/06>	<5	M4	22488
RENAULT	Espace	D	2.0	1995	127	04/06>	<5	M4	19359

OE INFORMATION

OE reference		
8200446522		
8200795225		

COMPETITOR DATA

Name	Number
AS	
BM Catalysts	
Bosal	
Klarius	
MTS	
Veneporte	RN55981F

PICTURES

<p>N.A. 8200446522 9273091DPF</p>	<p>Espace IV MPV 2.0 DCi 01/06- 1995 cc - 150 HP - 110 kW Mot/Eng: M9R 740, M9R 750, M9R 815 Type/Typ: JK01 (JK01, JK02, JK1J, JK1K) DPF type Cordierite</p> <p>REH19358B DPF</p>
---------------------------------------	--



PRODUCT & LOGISTIC INFO

Stock Code	92
Approval number	E24 103 R-000193
Weight (kg)	6,42
EAN 13	3277490730916



Online Catalogue:
www.walkercatalogue.eu





73107 DPF

CITROEN C5

APPLICATION INFO

MAKE	MODEL	FUEL	STROKE	CC	KW	YEAR	YEAR SEG	SEGMENT	KTYPE
CITROEN	C5 Estate/Break	D	2.0	1997	80	06/01-08/04	> 10	M2'	23441
CITROEN	C5	D	2.0	1997	80	03/01-08/04	> 10	M2'	15914

OE INFORMATION

OE reference		
1731R9		

COMPETITOR DATA

Name	Number
AS	
BM Catalysts	BM11134/BM11134P
Bosal	
Klarius	390110
MTS	
Veneporte	CT15121F

PICTURES

1705LJ N.A.CAT(A)	1731X1 N.A.CAT	1731R9 9173107DPF	1717CW N.A.	1726RV 6422699 NK 86250	C5 Hatchback 2.0 HDi 01/03-04/08 1997 cc - 109 HP - 80 kW Mot/Eng: DW10ATED Type/Typ: DC- (DCRHZB, DCRHZE) DPF type Cordierite MOD DCRHSB, DCRHSE, DCRHZB, DCRHZE (A) MVT (B) A/T CIH15914BB DPF
N.A.CAT(B) 1705LK					



PRODUCT & LOGISTIC INFO

Stock Code	91
Approval number	E24 103 R-000189
Weight (kg)	5,67
EAN 13	3277490731074



Online Catalogue:
www.walkercatalogue.eu





73109 DPF

SUZUKI Grand Vitara

APPLICATION INFO

MAKE	MODEL	FUEL	STROKE	CC	KW	YEAR	YEAR SEG	SEGMENT	KTYPE
SUZUKI	Grand Vitara	D	1.9	1870	95	10/05>	<5	M5	19393

OE INFORMATION

OE reference		
1419067J20H02		
1419067J21H02		
1419067J30H02		

COMPETITOR DATA

Name	Number
AS	
BM Catalysts	BM11049/BM11049P
Bosal	095-221
Klarius	
MTS	
Veneporte	



PRODUCT & LOGISTIC INFO

Stock Code	92
Approval number	E24 103 R-000193
Weight (kg)	6,27
EAN 13	3277490731098



Online Catalogue:
www.walkercatalogue.eu





73131 DPF

FIAT 500

APPLICATION INFO

MAKE	MODEL	FUEL	STROKE	CC	KW	YEAR	YEAR SEG	SEGMENT	KTYPE
FIAT	Panda Van	D	1.3	1248	55	06/06-12/12	5-10	M6	27951
FIAT	Panda	D	1.3	1248	55	06/06-12/12	5-10	M1	30755
FIAT	500C	D	1.3	1248	55	06/09>	<5	M1	32826
FIAT	500	D	1.3	1248	55	07/07>	<5	M1	23177

OE INFORMATION

OE reference		
51776722		
51861467		

COMPETITOR DATA

Name	Number
AS	
BM Catalysts	BM11053
Bosal	
Klarius	
MTS	17.00079
Veneporte	FA25624F



PRODUCT & LOGISTIC INFO

Stock Code	92
Approval number	E24 103 R-000199
Weight (kg)	4,62
EAN 13	3277490731319



Online Catalogue:
www.walkercatalogue.eu



93064 DPF

BMW 525d

APPLICATION INFO

MAKE	MODEL	FUEL	STROKE	CC	KW	YEAR	YEAR SEG	SEGMENT	KTYPE
BMW	525d Touring	D	2.5	2498	130	09/04-02/07	5-10	M3	17969
BMW	525d Touring	D	2.5	2498	120	06/04-09/05	5-10	M3	19949
BMW	525d	D	2.5	2498	120	12/04-09/07	5-10	M3	19950
BMW	525d	D	2.5	2498	130	03/04-02/07	5-10	M3	17968

OE INFORMATION

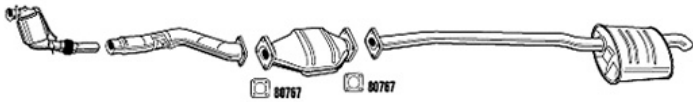
OE reference		
18307792041		


COMPETITOR DATA

Name	Number
AS	
BM Catalysts	BM11030
Bosal	
Klarius	390160
MTS	
Veneporte	

PICTURES

18307796617 N.A.CAT(A)	18307789895 N.A.	18307792041 9193064DPF	18307800338 N.A.
---------------------------	---------------------	---------------------------	---------------------



525

 2.5 D
06/04-03/10
 2497 cc - 177 HP - 130 kW
 Mot/Eng: M57 D25 TU, M57N 256 D4
 Type/Typ: E60
 DPF type SIC: 03/04-02/07 Euro 4
 Eng: M57N256D2
 (A) MVT (B) AT

N.A.CAT(B)
18307792190

BWH17968BA DPF



PRODUCT & LOGISTIC INFO

Stock Code	91
Approval number	E24103R-000220
Weight (kg)	5,50
EAN 13	3277490930644



Online Catalogue:
www.walkercatalogue.eu



93077 DPF

NISSAN Qashqai

APPLICATION INFO

MAKE	MODEL	FUEL	STROKE	CC	KW	YEAR	YEAR SEG	SEGMENT	KTYPE
NISSAN	Qashqai+2	D	2.0	1995	110	08/08-11/13	<5	M5	19888
NISSAN	Qashqai+2	D	2.0	1995	110	08/08-11/13	<5	M5	22942
NISSAN	Qashqai	D	2.0	1995	110	10/06-01/14	<5	M5	19888
NISSAN	Qashqai	D	2.0	1995	110	10/06-01/14	<5	M5	22942

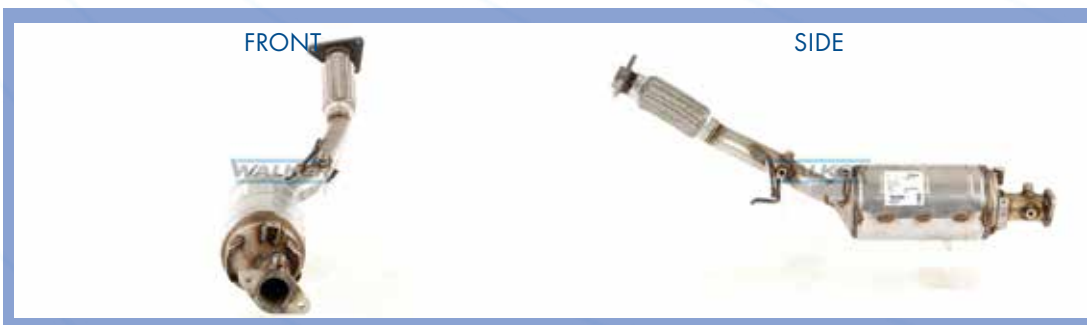
OE INFORMATION

OE reference		
20010BR40A		
20010JD71A		
20010JD71B		

COMPETITOR DATA

Name	Number
AS	
BM Catalysts	BM11061P
Bosal	095-211
Klarius	
MTS	
Veneporte	

PICTURES



PRODUCT & LOGISTIC INFO

Stock Code	92
Approval number	E24 103 R-000193
Weight (kg)	9,80
EAN 13	3277490930774



Online Catalogue:
www.walkercatalogue.eu



93082 DPF

FIAT Stilo

APPLICATION INFO

MAKE	MODEL	FUEL	STROKE	CC	KW	YEAR	YEAR SEG	SEGMENT	KTYPE
FIAT	Stilo	D	1.9	1910	88	09/05-08/08	5-10	M2	18911
FIAT	Stilo	D	1.9	1910	110	09/05-08/08	5-10	M2	18912
FIAT	Stilo	D	1.9	1910	88	09/05-06/07	5-10	M2	18907
FIAT	Stilo	D	1.9	1910	110	09/05-06/07	5-10	M2	18908
FIAT	Stilo	D	1.9	1910	66	09/04-08/08	5-10	M2	28830
FIAT	Stilo	D	1.9	1910	66	09/04-11/06	5-10	M2	19985
FIAT	Stilo	D	1.9	1910	85	01/03-08/08	5-10	M2	17137
FIAT	Stilo	D	1.9	1910	85	10/01-11/06	5-10	M2	16057
FIAT	Bravo	D	1.9	1910	66	04/07-12/08	5-10	M2	30327
FIAT	Bravo	D	1.9	1910	85	04/07-06/08	5-10	M2	5925
FIAT	Bravo	D	1.9	1910	88	04/07>	<5	M2	22544
FIAT	Bravo	D	1.9	1910	110	04/07>	<5	M2	22545

OE INFORMATION

OE reference		
51763720		
51780233		
51786112		
51800822		
51820450		
55197658		

COMPETITOR DATA

Name	Number
AS	
BM Catalysts	BM11036H
Bosal	
Klarius	
MTS	17.00037
Veneporte	FA25886F

PICTURES



PRODUCT & LOGISTIC INFO

Stock Code	92
Approval number	E24 103R-000210
Weight (kg)	6,30
EAN 13	3277490930828



Online Catalogue:
www.walkercatalogue.eu





93083 DPF

FIAT Doblo

APPLICATION INFO

MAKE	MODEL	FUEL	STROKE	CC	KW	YEAR	YEAR SEG	SEGMENT	KTYPE
FIAT	Doblo	D	1.9	1910	88	05/05-07/09	41917	M6	19325

OE INFORMATION

OE reference		
51771692		
51791900		
51800823		
51818964		

COMPETITOR DATA

Name	Number
AS	
BM Catalysts	BM11036H
Bosal	
Klarius	
MTS	
Veneporte	

PICTURES



PRODUCT & LOGISTIC INFO

Stock Code	92
Approval number	E24 103R-000210
Weight (kg)	6,10
EAN 13	3277490930835



Online Catalogue:
www.walkercatalogue.eu



1ST TO MARKET

93088 DPF

RENAULT Laguna

APPLICATION INFO

MAKE	MODEL	FUEL	STROKE	CC	KW	YEAR	YEAR SEG	SEGMENT	KTYPE
RENAULT	Laguna Estate/Break	D	2.0	1995	131	03/08>	<5	M2'	26651
RENAULT	Laguna Estate/Break	D	2.0	1995	127	01/08>	<5	M2'	27532
RENAULT	Laguna Estate/Break	D	2.0	1995	110	01/08>	<5	M2'	23378
RENAULT	Laguna Estate/Break	D	2.0	1995	96	01/08>	<5	M2'	23377
RENAULT	Laguna	D	2.0	1995	131	03/08>	<5	M2'	26649
RENAULT	Laguna	D	2.0	1995	127	01/08>	<5	M2'	27531
RENAULT	Laguna	D	2.0	1995	110	10/07>	<5	M2'	23373
RENAULT	Laguna	D	2.0	1995	96	09/07>	<5	M2'	23372

OE INFORMATION

OE reference		
200100056R		
200100056RSP12		

COMPETITOR DATA

Name	Number
AS	
BM Catalysts	
Bosal	
Klarius	
MTS	
Veneporte	

N/A

PICTURES



PRODUCT & LOGISTIC INFO

Stock Code	92
Approval number	E24 103 R-000193
Weight (kg)	7,10
EAN 13	3277490930880



Online Catalogue:
www.walkercatalogue.eu



93131 DPF

FIAT Panda

APPLICATION INFO

MAKE	MODEL	FUEL	STROKE	CC	KW	YEAR	YEAR SEG	SEGMENT	KTYPE
FIAT	Panda Van	D	1.3	1248	55	06/06-12/12	5-10	M6	27951
FIAT	Panda	D	1.3	1248	55	06/06-12/12	5-10	M1	30755
FIAT	500C	D	1.3	1248	55	06/09>	<5	M1	32826
FIAT	500	D	1.3	1248	55	07/07>	<5	M1	23177

OE INFORMATION

OE reference		
51776722		
51861467		

COMPETITOR DATA

Name	Number
AS	
BM Catalysts	BM11053
Bosal	
Klarius	390195
MTS	17.00079
Veneporte	FA25624F

PICTURES



PRODUCT & LOGISTIC INFO

Stock Code	92
Approval number	E24 103 R-000199
Weight (kg)	5,65
EAN 13	3277490931313



Online Catalogue:
www.walkercatalogue.eu

